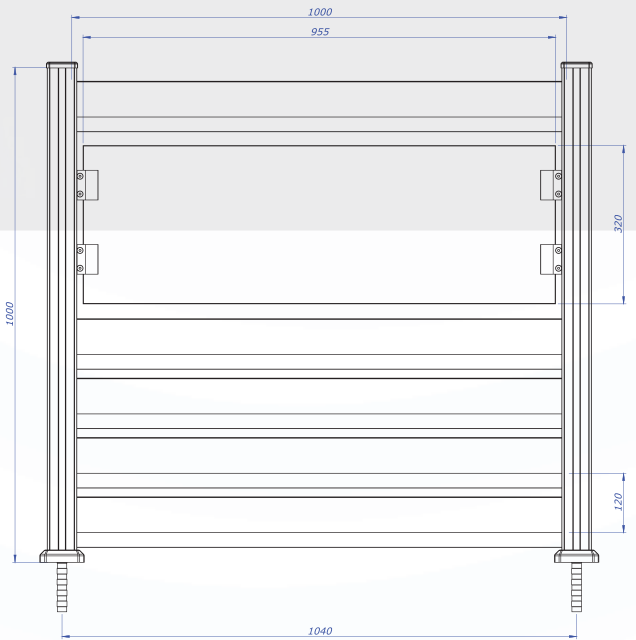
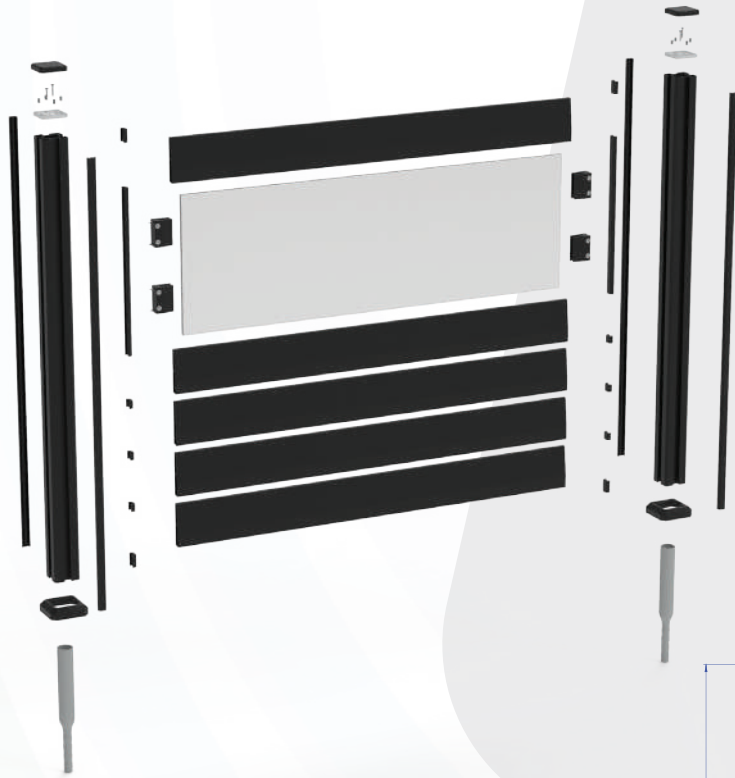




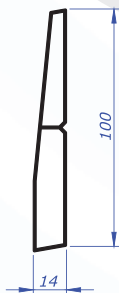
# high

quality materials with a modern  
design and superior finishing.



**Option A**

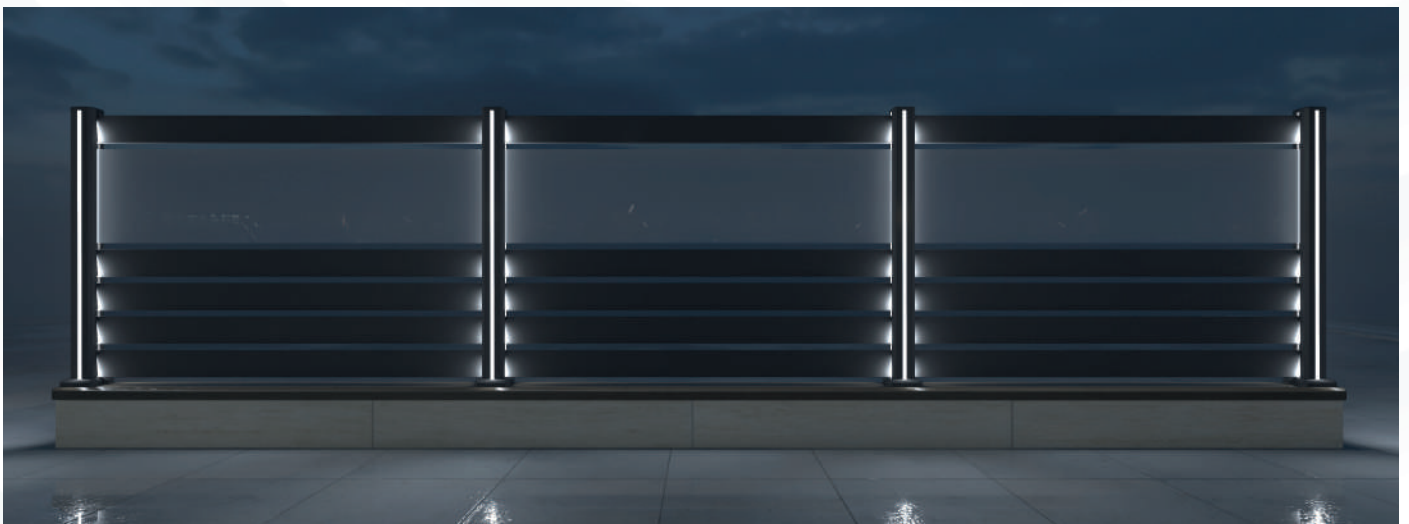
Complete Siding



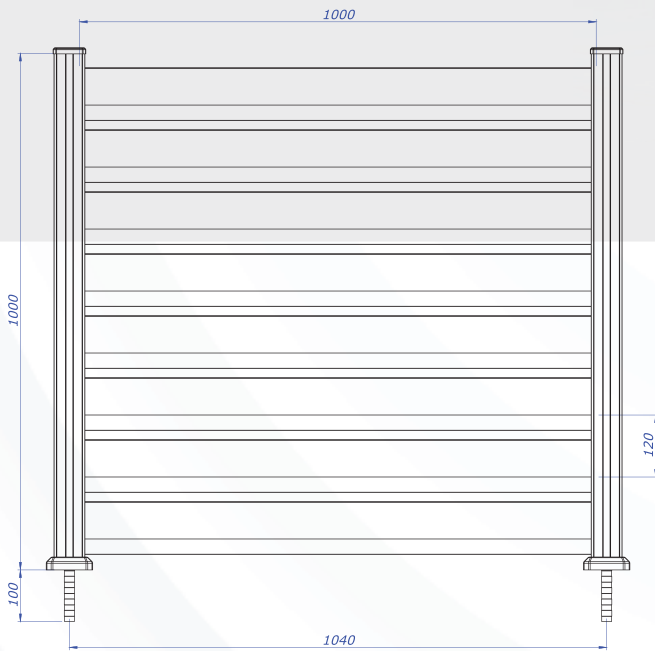
**Option B**

w/Glass 4+4

■ **6207**  
Partition Siding Fence  
Profile-B Meters



**ALUFENCE**  
SERIES  
NEVADA



■ **6208**  
Z Shape Partition Fence  
Profile-6 Meters

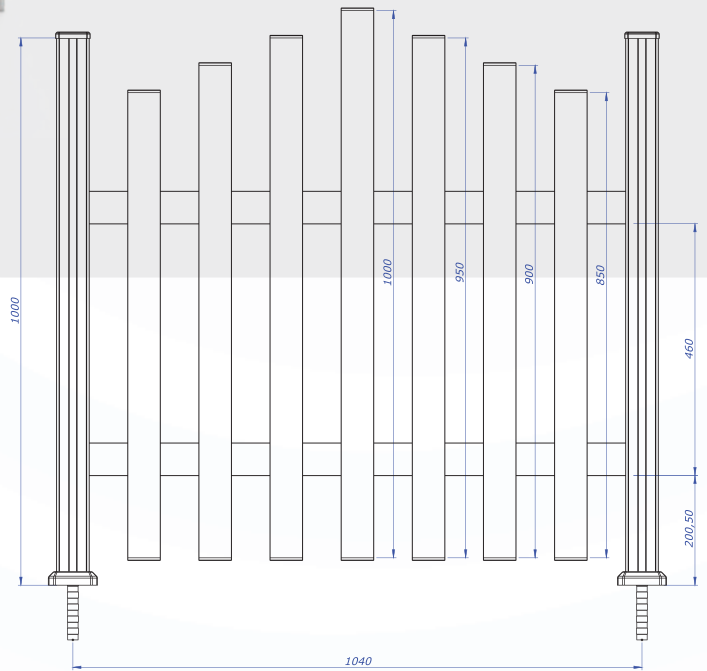
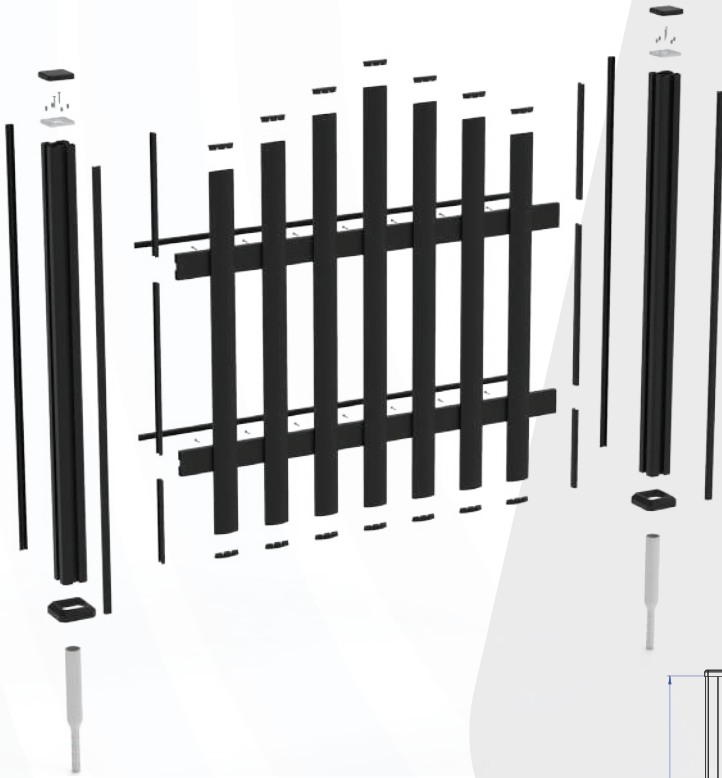
Option A

Complete Siding

Option B

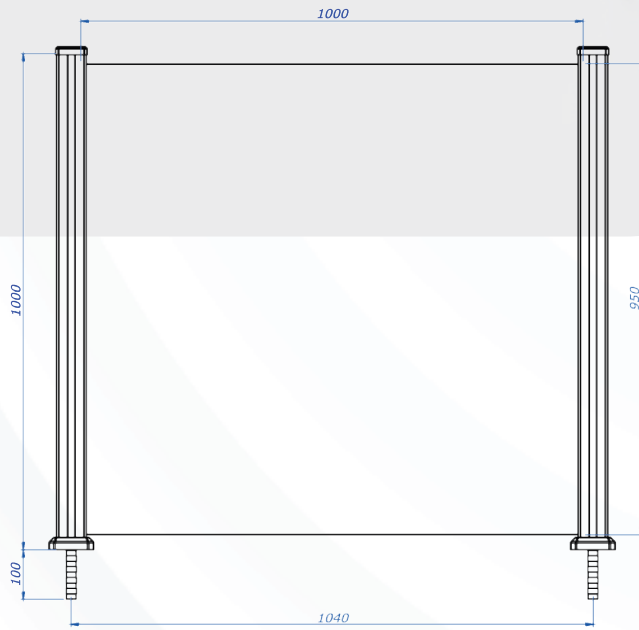
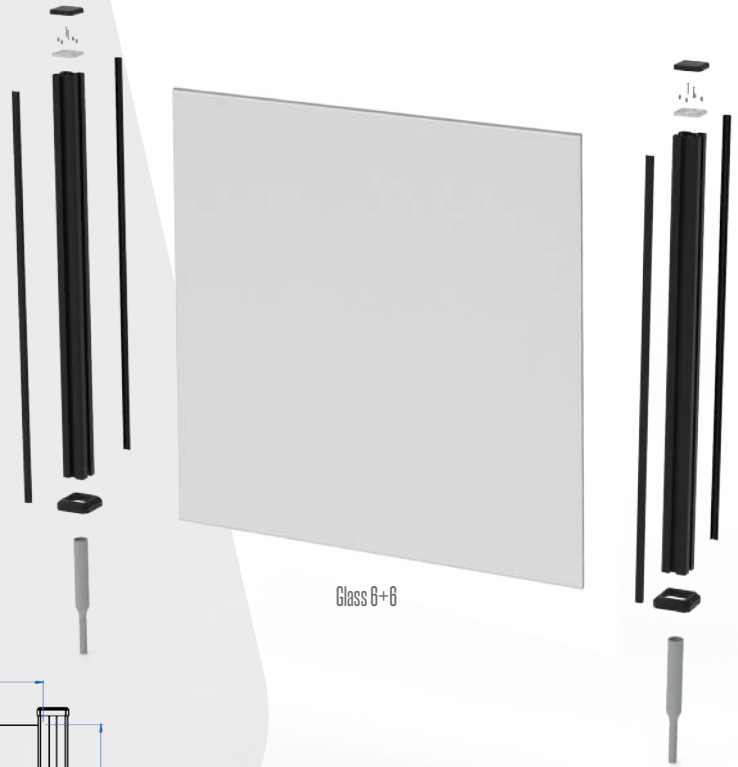
Wind Break Gaps

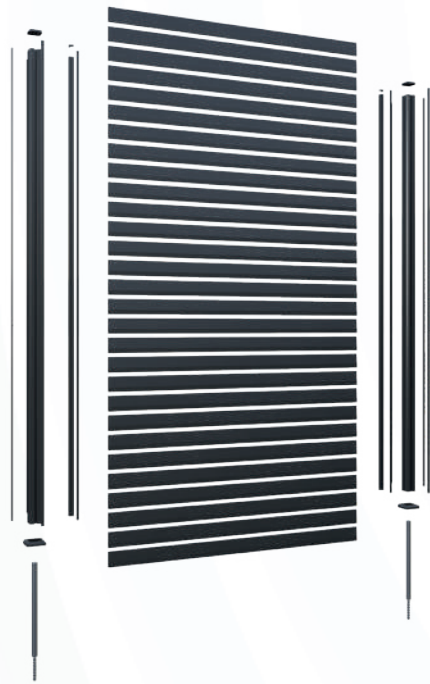




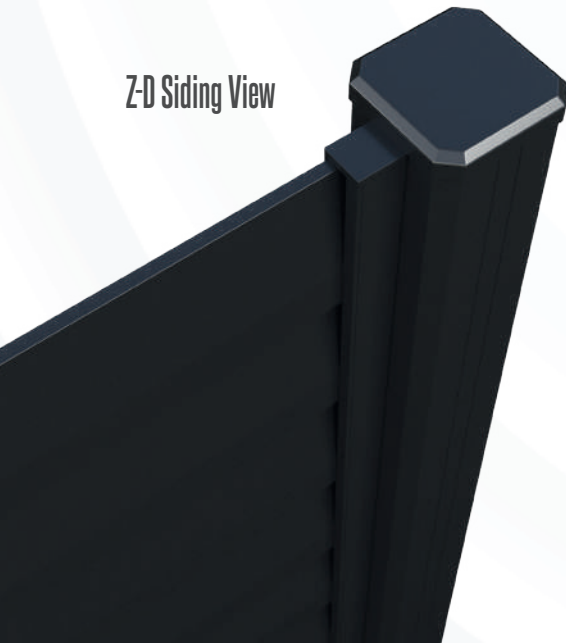
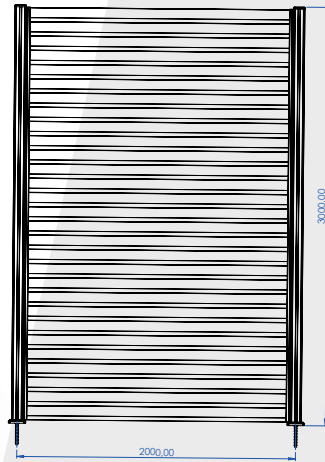


**ALUFENCE**  
SERIES  
NICE

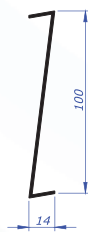




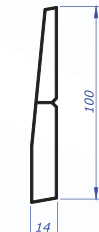
Z-D Siding View



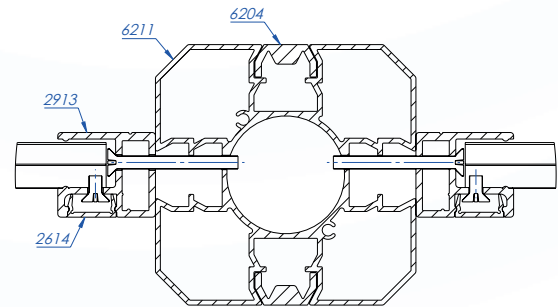
Wall Partition View



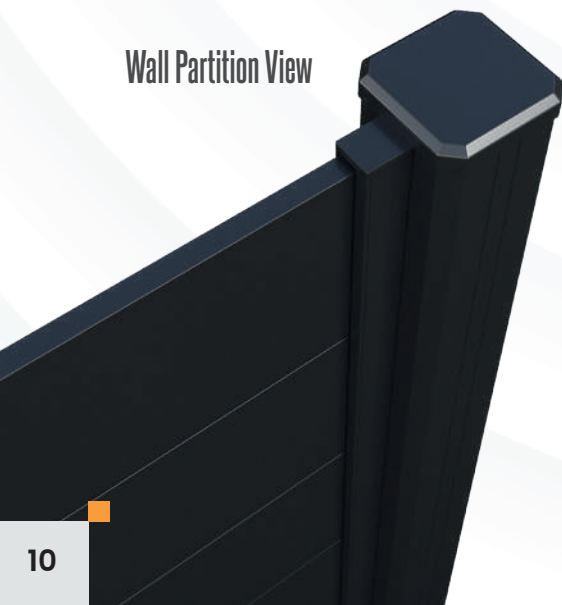
■ **6208**  
Z Shape Partition Fence  
Profile-6 Meters



■ **6207**  
Partition Siding Fence  
Profile-6 Meters



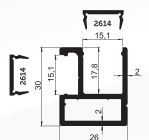
■ **6211**  
Adapter Application



■ **6214**  
Partition Fence Box  
6 Meters

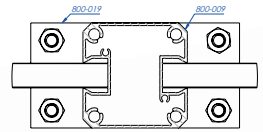
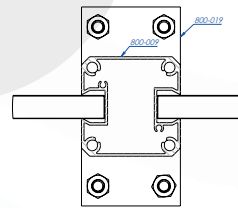


■ **800-018**  
Fence Post Anchor Ø36 - 75 cm



■ **2913 Adapter Profile**  
6 Meters

**ALUFENCE**  
SERIES  
TOP PARAPHET

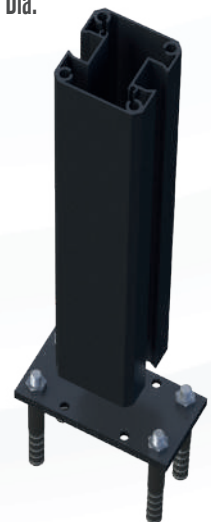


800-009  
Fence Post Profile 60\*60-6 Meters

800-009  
Fence Post Profile 60\*60-6 Meters



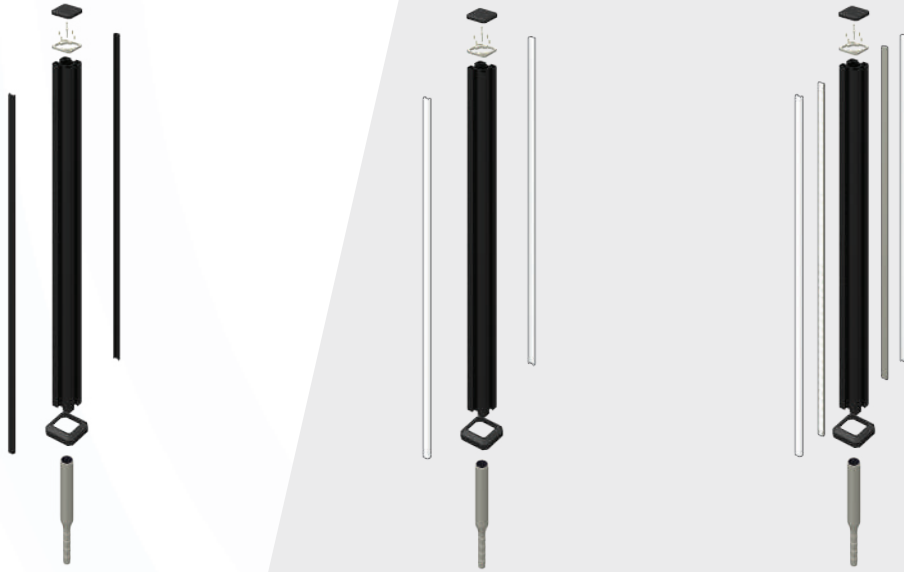
Flange Application Dia.



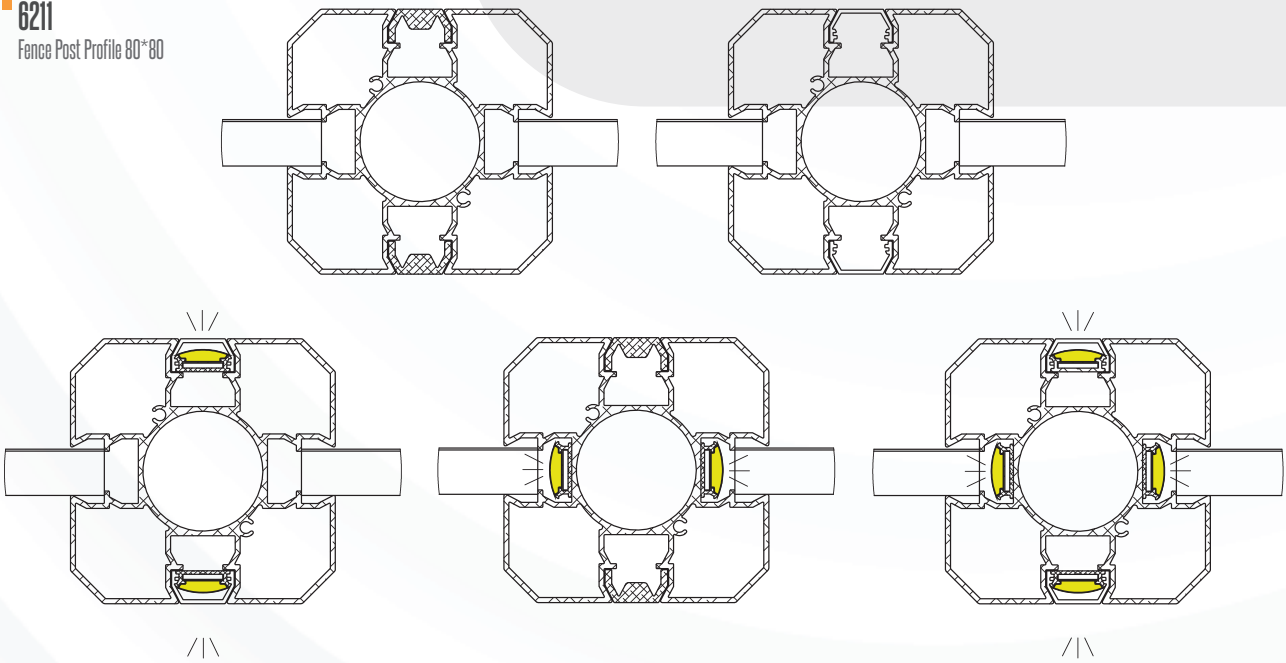
Wide Operate

Narrow Operate

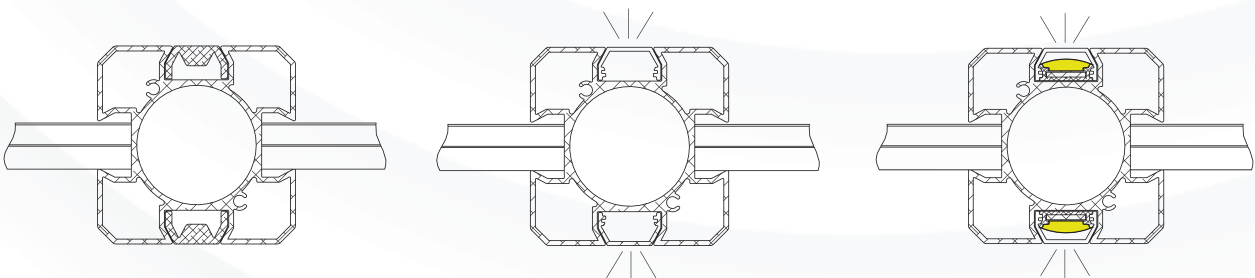
Post Usage Types of Alufence System



6211  
Fence Post Profile 80\*80



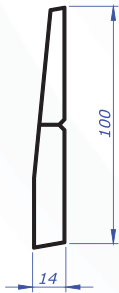
6205  
Fence Post Profile 60\*60







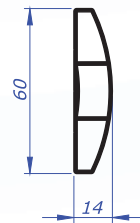
Color your world with *Alufence* Systems!



■ **6207**  
Partition Siding Fence Profile-6 Meters

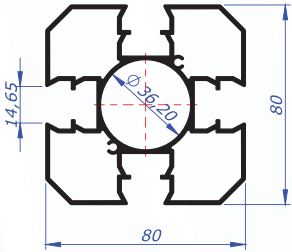


■ **6208**  
Z Shape Partition Fence Profile-6 Meters

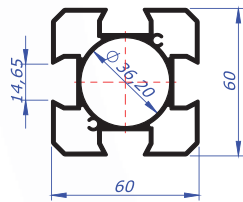


■ **6210**  
Vertical Partition Fence Profile-6 Meters

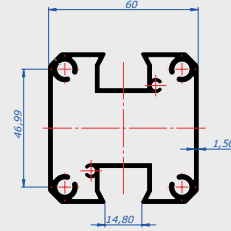




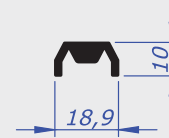
■ **6211**  
Fence Post Profile 80\*80-6 Meters



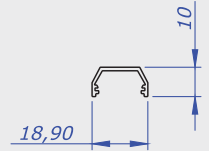
■ **6205**  
Fence Post Profile 60\*60-6 Meters



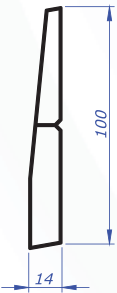
■ **800-009**  
Fence Post Profile 60\*60-6 Meters



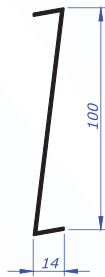
■ **6204**  
Fence Profile Cover  
6 Meters



■ **800-010**  
Polycarbonate Cover  
6 Meters



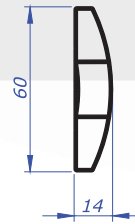
■ **6207**  
Partition Siding Fence  
Profile-6 Meters



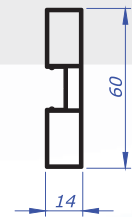
■ **6208**  
Z Shape Partition Fence  
Profile-6 Meters



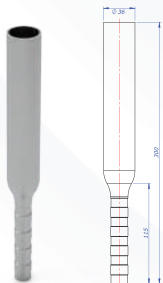
■ **6214**  
Partition Fence Box  
6 Meters



■ **6210**  
360-301 Elliptic  
60x25 Wall Flange



■ **6206**  
Elliptic 60x25 Plug



■ **800-016**  
Fence Post Anchor Ø36



■ **500-065**  
M12x150mm Concrete Screw



■ **500-064**  
M10 Clips Dowel Screw 180mm



■ **500-014**  
8 Metric Anchor



■ **500-019**  
Bolt M8

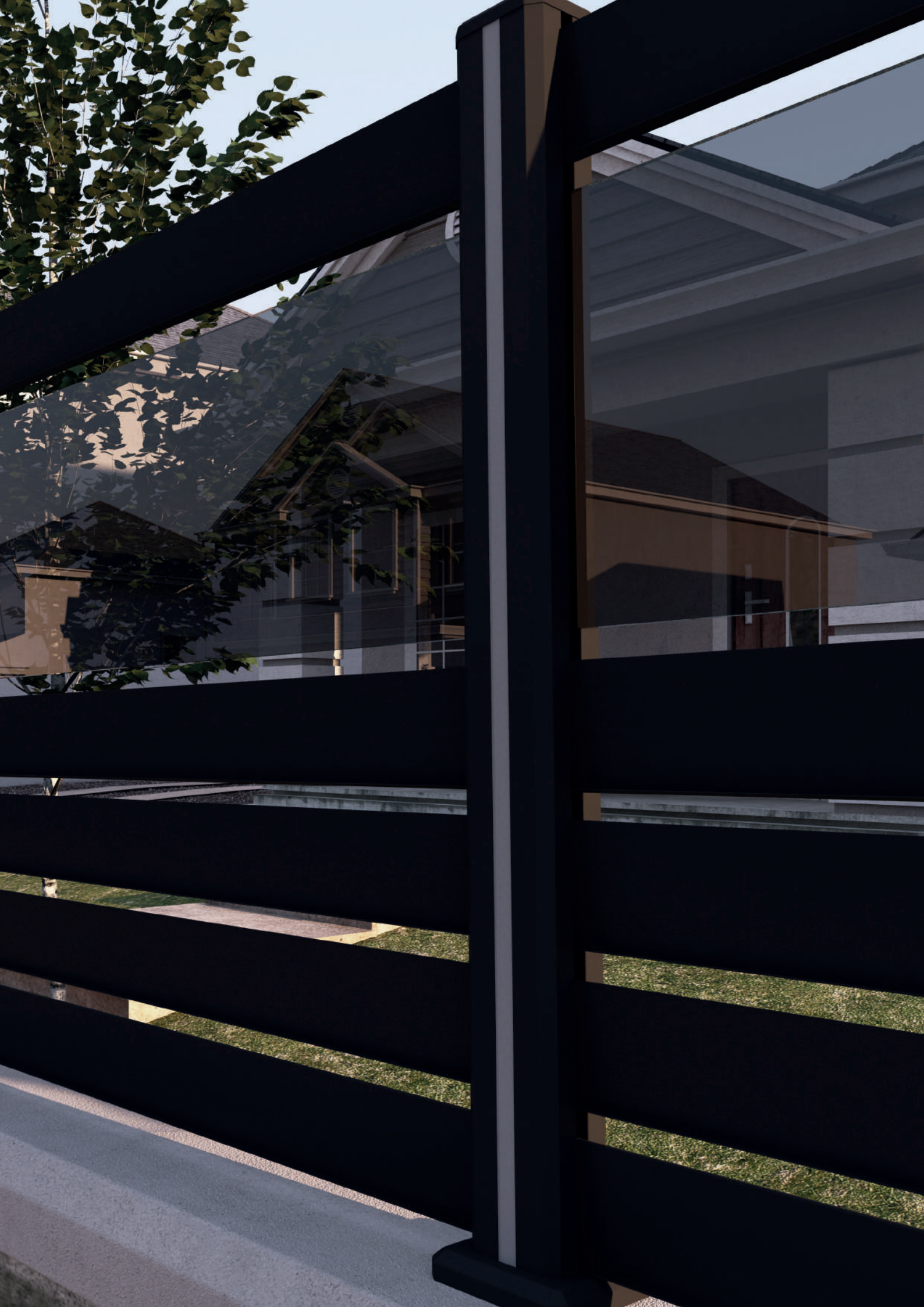




ALUFENCE  
*Arvada*









ALUFENCE  
*Nevada*









ALUFENCE  
*Florida*















**INTERNATIONAL FIRST CERTIFICATION**

**IFC**

**INTERNATIONAL FIRST CERTIFICATION**

**SERTİFİKA**

AKOS İYİ HİZMETLERİ (ŞİRKETİ) A.Ş.

**ISO 9001:2015**

**IFC** **IAP** **AFS**

**SZUTEST**

**FABRİKA ÜRETİM KONTROLÜ UYGUNLUK BELGESİ**

**Alüminyum ve Alüminyum alaşımların - Yüzey İşlemi İçin Topsoyl Morsları**

**AKOS İYİ HİZMETLERİ A.Ş. Şİ.İ.**

**EV 1909/200**

**CE**

**Authorization to use the quality sign**

**ALUMINIUM ASSOCIATION EURASWAA ANODISERS ASSOCIATION**

**Qualiconat**

**AKOS ÜRETİM METAL SAN. TİC. LTD. ŞTİ.**

**License number: 1625**

**QUALICONAT CERTIFICATION BODY**

**Authorization to use the quality sign**

**QUALICONAT**

**AKOS ÜRETİM METAL SAN. TİC. LTD. ŞTİ.**

**License number: 1417**

**QUALICONAT CERTIFICATION BODY**

**ISTITUTO GIORDANO**

**TEST REPORT No. 34296**

**Alüminyum alaşımların mekanik özelliklerinin araştırılması**

**Photograph of the sample**

**ISTITUTO GIORDANO**

**METAL SECTION**

**Photograph of the sample**

Number	Code	Description
1	000	Sample
2	100001100000	Sample
3	100001100000	Sample
4	100001100000	Sample
5	100001100000	Sample
6	100001100000	Sample
7	100001100000	Sample
8	100001100000	Sample
9	100001100000	Sample
10	100001100000	Sample
11	100001100000	Sample
12	100001100000	Sample

**ISTITUTO GIORDANO**

**Mechanical properties**

Material	Yield strength	Energy	Result
AKOS	200	20	OK
AKOS	200	20	OK

**Photograph of the sample after test**

**ISTITUTO GIORDANO**

**Mechanical properties**

Material	Yield strength	Energy	Result
AKOS	200	20	OK
AKOS	200	20	OK

**Photograph of the sample after test**

**ISTITUTO GIORDANO**

**Test Results**

Material	Yield strength	Energy	Result
AKOS	200	20	OK
AKOS	200	20	OK

**ISTITUTO GIORDANO**

**Mechanical properties**

Material	Yield strength	Energy	Result
AKOS	200	20	OK
AKOS	200	20	OK

**ISTITUTO GIORDANO**

**Mechanical properties**

Material	Yield strength	Energy	Result
AKOS	200	20	OK
AKOS	200	20	OK

**ISTITUTO GIORDANO**

**Mechanical properties**

Material	Yield strength	Energy	Result
AKOS	200	20	OK
AKOS	200	20	OK

**Photograph of the sample during mechanical testing**



