



CLASSICAL 100 SERIES



Offering services in the sector for 15 years, Özgüller Aluminum Railing Systems has created its new brand 'AKOS' aiming at improving our years long experience and customer satisfaction with consciousness obtained from our valuable customer through a more practical and ergonomic product concept.

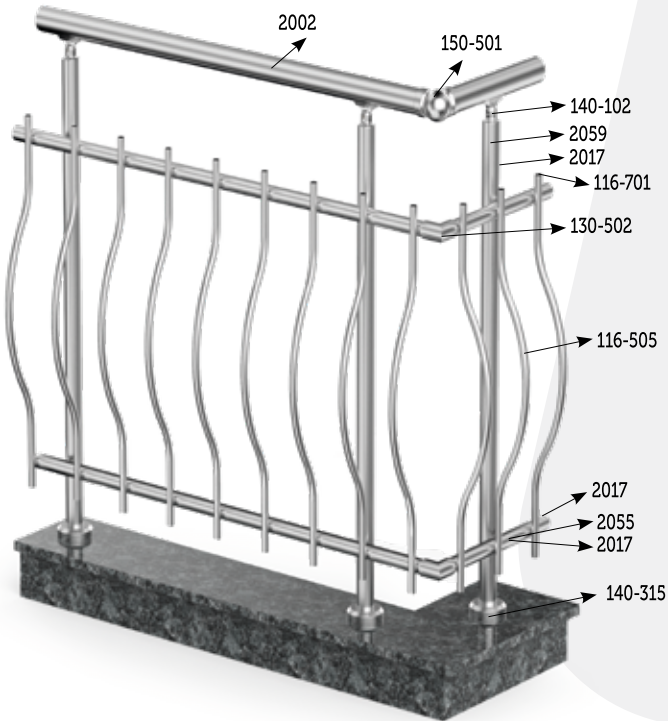
With "AKOS" brand , that its meaning also contains



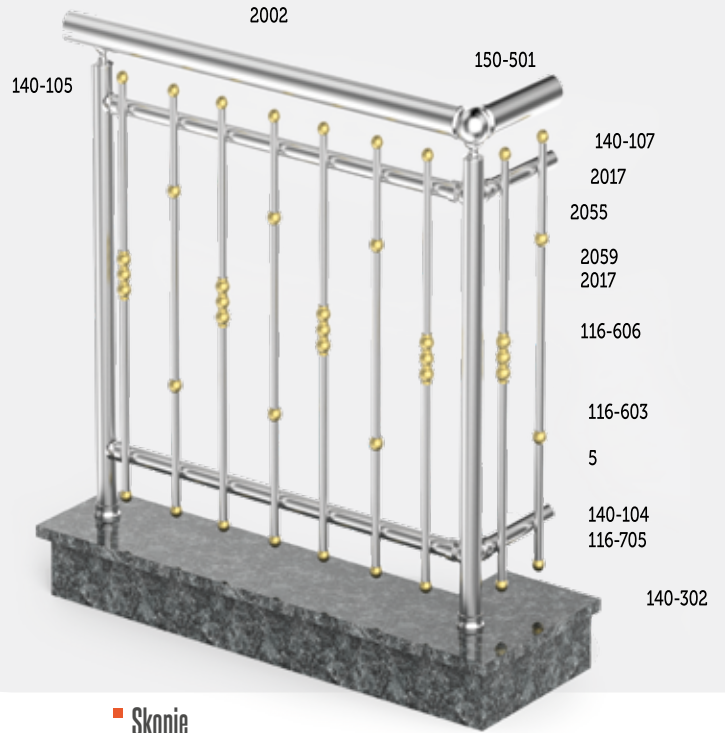
- Easy and fast application possibility for old and new constructions.
- Possibility to use with panes made of different materials.
- Different colors and patterns applied to profiles and panels that used.
- Aesthetic appearance by concealing support and connection points with special accessories.

Most common railing type all around the World! Classical 100 is suitable for old and new structures. Akos provides all kind of round accessories and profiles with anodized and painted quality!





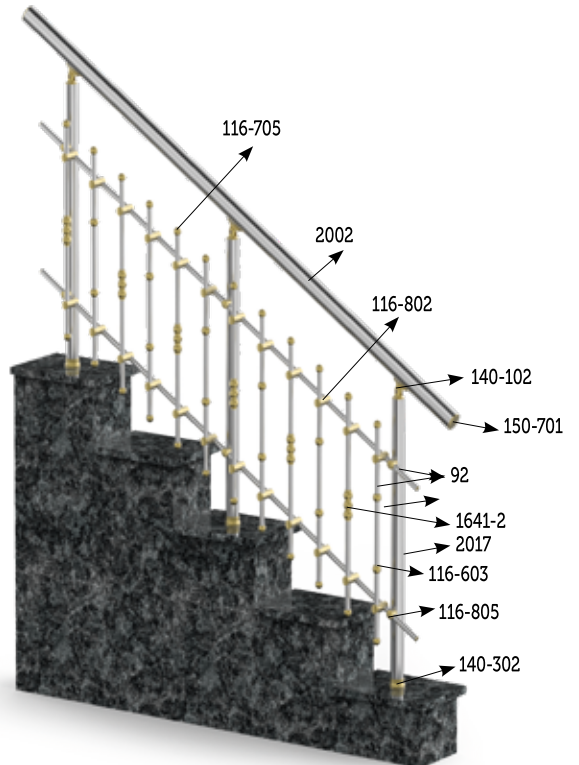
■ Ottawa



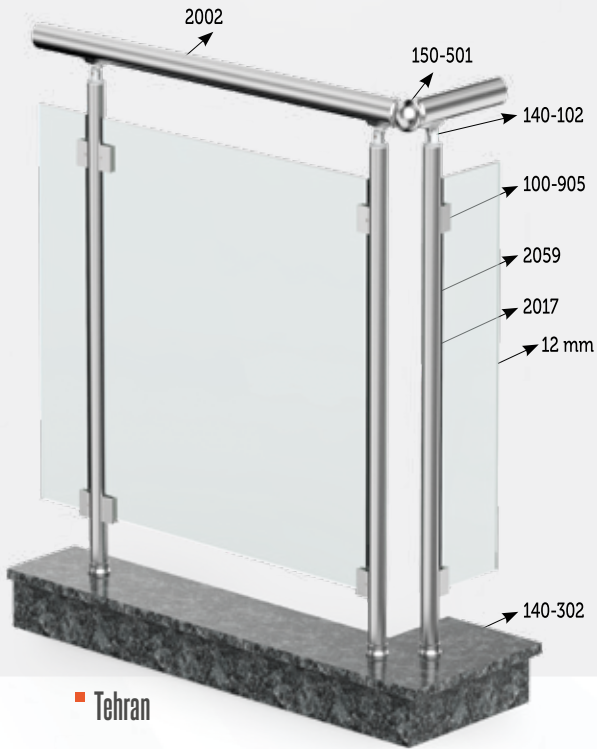
■ Skopje



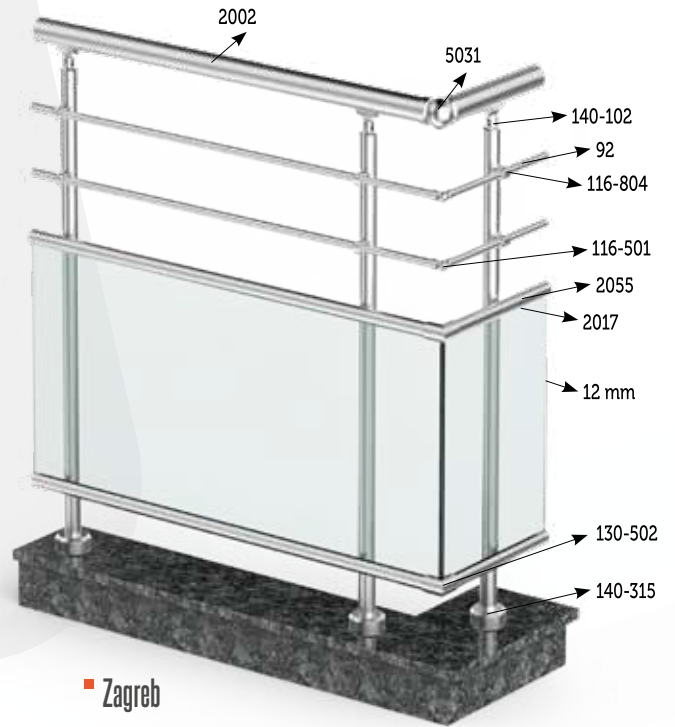
■ Oslo



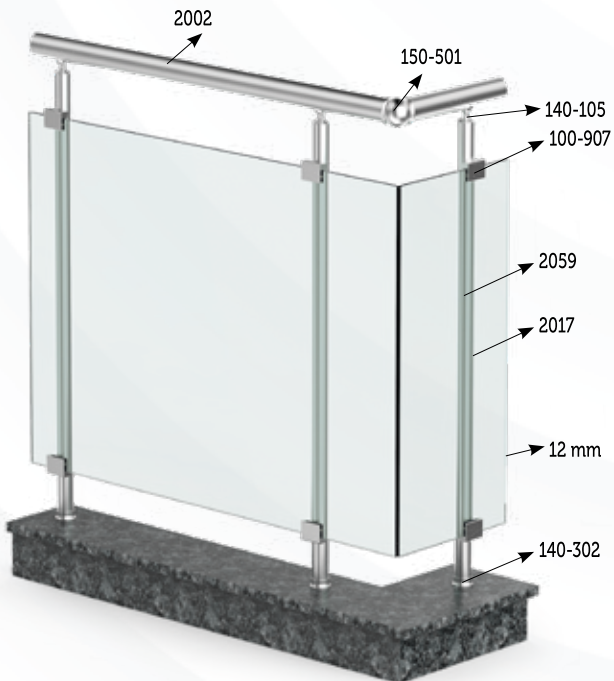
■ Vienna



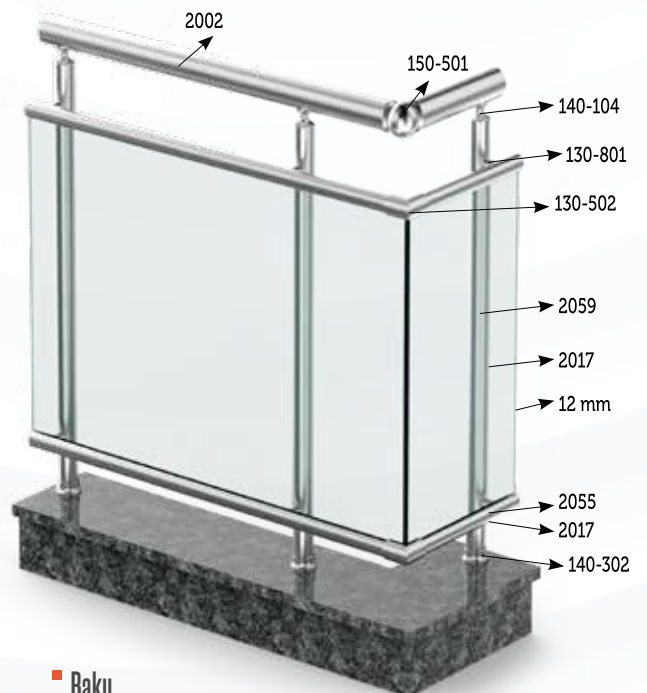
▪ Tehran



▪ Zagreb



▪ Washington



▪ Baku



■ **140-101**
40° Joint Kit



■ **140-102**
40° Joint Kit (Capped)



■ **140-109**
40° Joint Kit Patterned Cap



■ **140-103**
40° Akos Joint Kit



■ **140-104**
40° Capped Fitting



■ **140-105**
40° Capped Fitting



■ **140-110**
40° Long Fitting



■ **140-107**
Bowl Fitting



■ **140-108**
Wall Handle Joint



■ **140-301**
40° Anchor Flange (100 mm)



■ **140-320**
40° Inserted Flange
(80 mm)



■ **140-302**
40° Ground Flange
w/o Teeth



■ **140-303**
40° Ground Flange
Single Tooth



■ **140-304**
40° Ground Flange
Double Teeth



■ **140-305**
40° Ground Flange
Single Tooth (Patterned)



■ **140-306**
40° Ground Flange
Double Teeth (Patterned)



■ **140-307**
40° Ring (9 cm)



■ **140-308**
40° Ring Serrated (10 cm)



■ **140-321**
40° Ring Serrated (10 cm)



■ **140-315**
40° Ring Serrated (10 cm)



■ **140-316**
40° Ring Serrated (10 cm)



■ **140-317**
40° Ring Serrated (10 cm)



■ **140-318**
40° Ring Serrated (10 cm)



■ **140-319**
40° Ring Serrated (10 cm)



■ **140-314**
40°



■ **150-509**
50° Sphere Elbow for Corner



■ **150-510**
50° Smart Sphere Elbow for Corner



■ **140-311**
40° Ground Flange Externally Screwed (Long)



■ **140-312**
40° Ground Flange Externally Screwed



■ **140-313**
40° Ground Flange Cover



■ **140-401**
40° Wall "T" Hanger Long (9.5 cm)



■ **140-402**
40° Wall "T" Hanger (2.5 cm)





■ **140-403**
40° Strut "U" Side Connector
(h=9.5cm)



■ **140-404**
40° Strut "U" Side Connector
(h=12 cm)



■ **140-405**
40° Extension Apparatus



■ **140-701**
40° Plug



■ **140-702**
40° Knob



■ **150-101**
50° Joint Kit
(External)



■ **150-102**
50° Joint Kit
(Capped)



■ **150-105**
50° Fitting



■ **150-107**
50° Joint Kit
(External Patterned)



■ **150-521**
50° Internal Elbow 45°



■ **150-520**
50° Internal Elbow 90°



■ **150-104**
50° Fitting



■ **150-308**
50° Wall Flange (Single Hole)



■ **150-106**
50x50 mm Dovetail



■ **150-301**
50° Ground Flange
Externally Screwed (Long)



■ **150-302**
50° Ground Flange
Externally Screwed



■ **150-303**
50° Wall Flange
(Double Holes)



■ **150-304**
50° Ground Flange Cover



■ **150-305**
50° Adjustable Wall Flange



■ **150-306**
50° Adjustable Wall Flange



■ **150-307**
50° Extension Apparatus



■ **150-501**
50° Smart Sphere Elbow



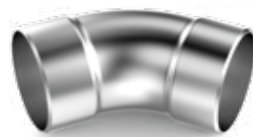
■ **150-502**
50° Sphere Elbow
(ECO)



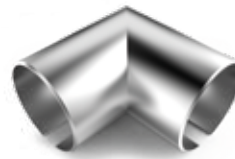
■ **150-507**
50° Sphere Elbow



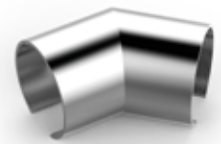
■ **150-503**
50° Inflate Bend 90°



■ **150-504**
50° Inflate Elbow 45°



■ **150-506**
50° Elbow With Glass
Channel 90°



■ **150-508**
50° Elbow With Glass
Channel 45°



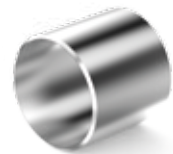
■ **150-601**
50° Smart Pipe Connector



■ **150-602**
50° Pipe Interconnector



■ **150-603**
50° Ring (3 cm)



■ **150-604**
50° Ring (5 cm)



■ **150-401**
50' Wall Connector "T"



■ **150-402**
50' Pipe Anchor Adapter



■ **150-701**
50' Plug



■ **150-705**
50' Outcapped Plug



■ **150-704**
50' Plug With Channel



■ **150-702**
50' Knob



■ **150-703**
50' Crystal Knob



■ **160-501**
60' Sphere Elbow



■ **160-601**
60' Ring



■ **160-701**
60' Plug



■ **160-301**
60' Wall Flange



■ **165-701**
65' Knob



■ **165-702**
65' Crystal Knob



■ **165-301**
65' Ground Flange (Thick)



■ **165-302**
65' Wall Flange
High Ground



■ **165-401**
65' Pipe Anchor
Adapter (12.5 cm)



■ **130-101**
30° Joint Kit
(Internal)



■ **130-106**
30° Joint Kit
(Long Capped)



■ **130-102**
30° Fitting



■ **130-103**
30x30 Fitting (Outcapped)



■ **130-104**
30x40 Fitting
(Outcapped)



■ **130-105**
30x50 Fitting
(Outcapped)



■ **130-301**
30° Ground Flange



■ **130-501**
30° Sphere Elbow



■ **130-601**
30° Ring



■ **130-701**
30° Plug



■ **130-702**
30° Knob



■ **130-801**
30x30 Interconnection



■ **130-802**
30x40 Interconnection



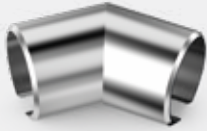
■ **130-803**
30x50 Interconnection



■ **130-703**
30° Plug (Externally)



■ **130-502**
30° Elbow With Glass
Channel 90°



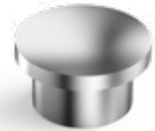
■ **130-503**
30° Elbow With Glass
Channel 45°



■ **130-401**
30° Single Curtain
Accessories



■ **130-402**
30° Double Curtain
Accessories



■ **116-701**
16" Plug



■ **116-702**
16" Knob



■ **116-703**
16" Decorative Knob



■ **116-704**
16" Decorative Knob



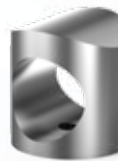
■ **116-705**
16" Plug (External)



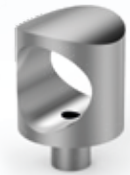
■ **116-801**
16" Pipe Handle Set



■ **116-802**
16" Pipe Double Handle Set



■ **116-803**
16" Pipe Handle



■ **116-804**
16" Pipe Handle
w/Pin



■ **116-805**
16" Pipe Handle (ECO)
w/Pin



■ **116-501**
16" Sphere Elbow



■ **116-502**
16" Elbow 90°



■ **116-503**
16" Elbow 45°



■ **116-301**
16' Ground Flange Externaly



■ **116-302**
16x30 Interchanger



■ **116-303**
16x40 Interchanger



■ **116-304**
16x50 Interchanger



■ **116-305**
16' Wall Flange



■ **116-601**
16' Ring



■ **116-602**
16' Decorative Ring



■ **116-809**
16' Pipe Handle



■ **116-603**
16' Single Ring Sphere



■ **116-604**
16' Decorated Ring



■ **116-606**
16' Decorated Ring



■ **116-605**
16' Decorative Bar



■ **100-901**
Spider Glass Holder-Double
Socket



■ **100-902**
Spider Glass Socket



■ **100-903**
Glass Holder for Round
Pipe



■ **100-904**
Glass Holder for Round
Pipe



■ **100-905**
Glass Holder for Round Pipe



■ **100-907**
Horizontal Glass Holder



■ **100-906**
Glass Holder for Round Pipe



■ **100-908**
Spider Socket



■ **100-909**
Glass to Wall Connector (Ø30)



■ **100-912**
Glass Side Connector (Ø50)



■ **100-911**
Glass Railing Joint Kit for Ø50



■ **100-913**
Glass Railing Joint Kit for Ø50



■ **100-910**
Glass Armature Short for Ø50



■ **100-201**
Wall Handle Ø50



■ **100-202**
Wall Armature Short Ø50



■ **100-203**
Wall Armature 90° (Ø50)



■ **100-204**
Wall Armature 45° (Ø50)



■ **100-205**
Wall Armature 90° (Long) (Ø50)



■ **100-206**
Anchor With Screw 20 Cm



■ **100-207**
Door Hinge



■ **100-208**
Door Latch





- **100-210**
Aluminium Anchor (Whole) (40 cm)
- **100-211**
Aluminium Anchor (Whole) (30 cm)
- **100-212**
Aluminium Anchor (Whole) (20 cm)
- **100-213**
Aluminium Anchor (Whole) (15 cm)



- **100-215**
Hollow Anchor (EGO) (40 cm)
- **100-216**
Hollow Anchor (EGO) (30 cm)
- **100-217**
Aluminium Anchor (Whole) (20 cm)
- **100-218**
Aluminium Anchor (Whole) (15 cm)



- **100-220**
Whole Anchor (40 cm)
- **100-221**
Whole Anchor (30 cm)
- **100-222**
Whole Anchor (20 cm)
- **100-223**
Whole Anchor (15 cm)



- **100-001**
Pistol for Epoxy



- **100-002**
410 gr Epoxy Adhesive



- **100-003**
Marble & Stone Glue



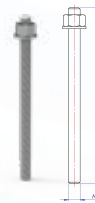
- **100-004**
Electrical Pipe Bender Machine



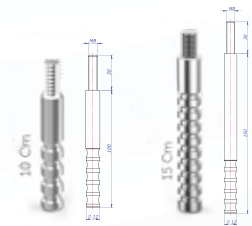
- **100-005**
Electrical Pipe Bender Machine-Small



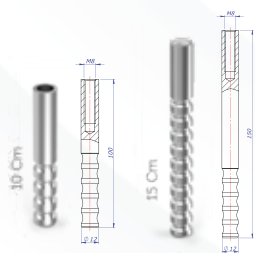
- **100-006**
Granit Cutter Tool



- **500-041**
120 mm Bolt M8



- **500-013**
500-014
8 Metric Anchor



- **500-015**
500-016
8 Metric Anchor



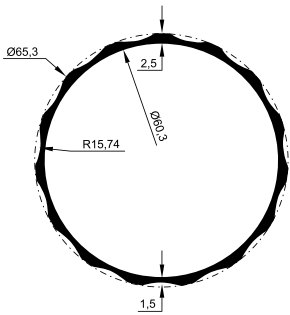
- **500-017**
15 cm Screw + Dowel



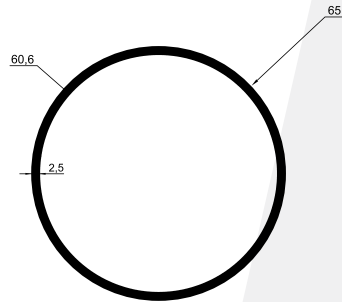
- **500-019**
Screw M8



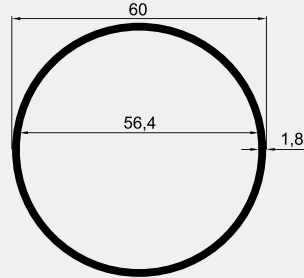
- **500-018**
Dome Nut M8



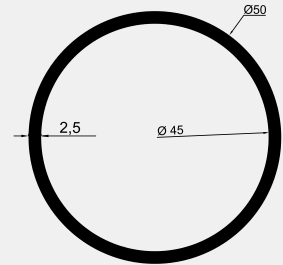
■ **2077**
1,085 Kg/M



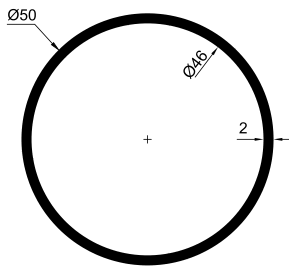
■ **10011**
1,171 Kg/M



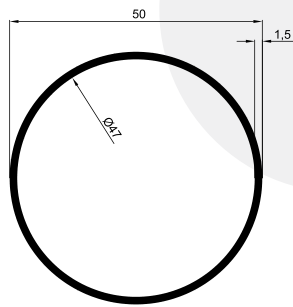
■ **10105**
0,888 Kg/M



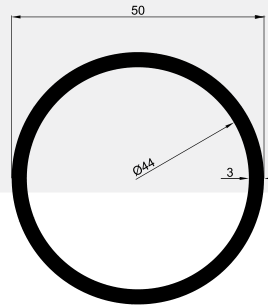
■ **2002**
1,007 Kg/M



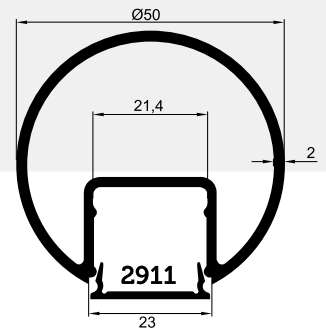
■ **2003**
0,815 Kg/M



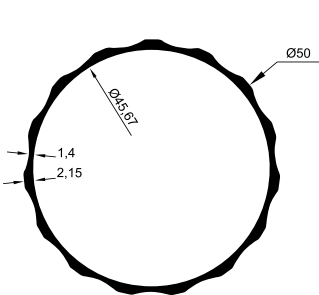
■ **2004**
0,617 Kg/M



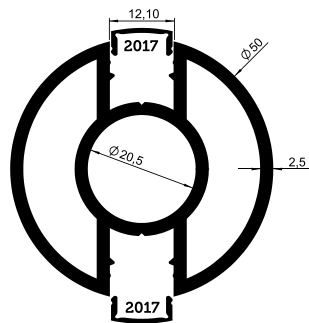
■ **2001**
1,193 Kg/M



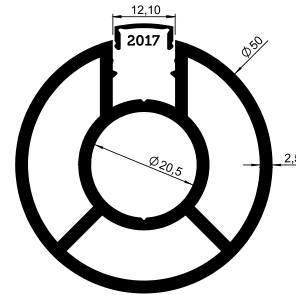
■ **2919**
0,980 Kg/M



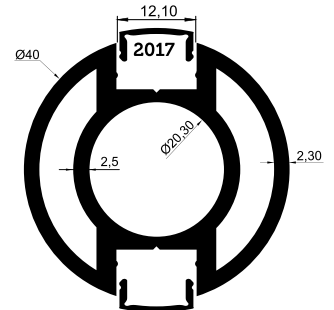
■ **2785**
0,733 Kg/M



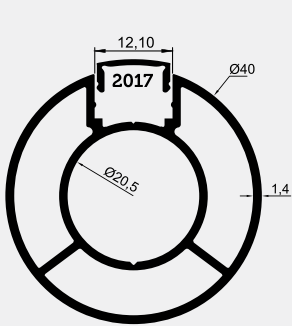
■ **2901**
1,640 Kg/M



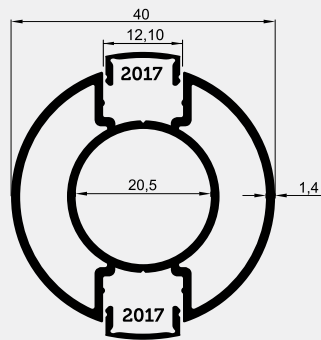
■ **2902**
1,703 Kg/M



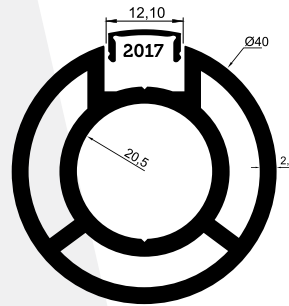
■ **2011**
1,256 Kg/M



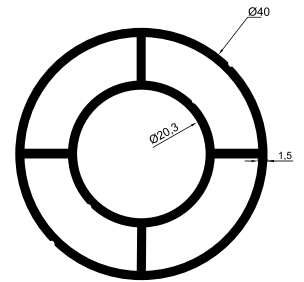
■ **2059**
0.772 Kg/M



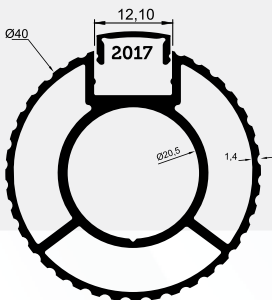
■ **2072**
0.726 Kg/M



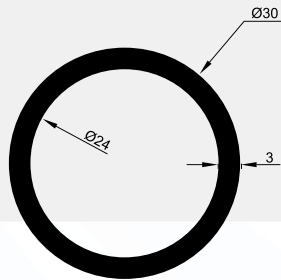
■ **2903**
1.350 Kg/M



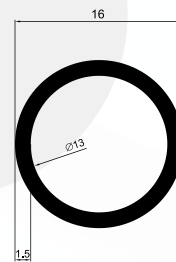
■ **2900**
0.900 Kg/M



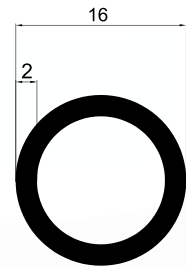
■ **2795**
0.801 Kg/M



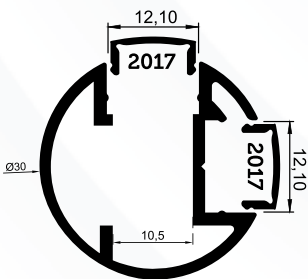
■ **10022**
0.685 Kg/M



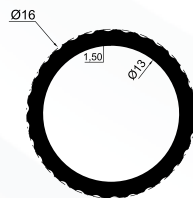
■ **5**
0.184 Kg/M



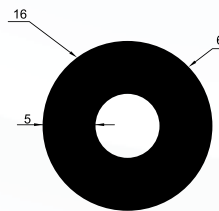
■ **92**
0.237 Kg/M



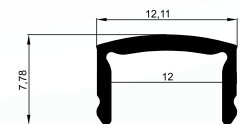
■ **2055**
0.440 Kg/M



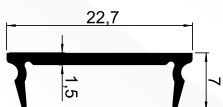
■ **2787**
0.175 Kg/M



■ **10059**
0.467 Kg/M



■ **2017**
0.078 Kg/M



■ **2911**
0.119 Kg/M

