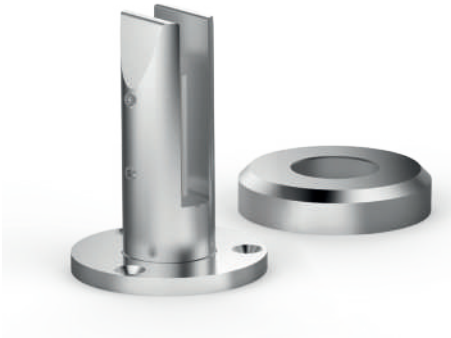


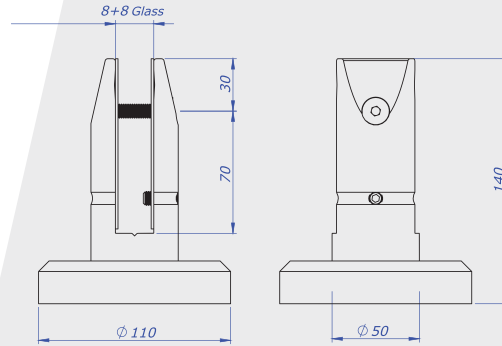


**A60 & A66  
SERIES**

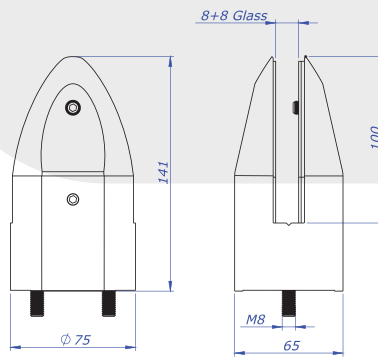


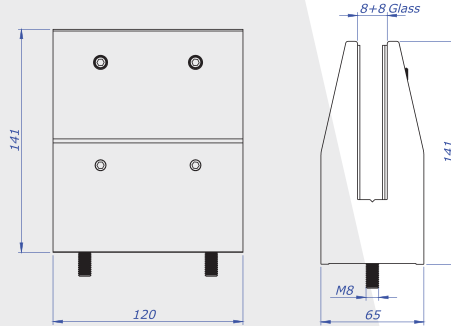
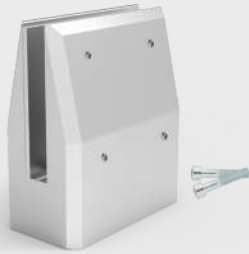


■ **500-601**  
Round Glass Holder

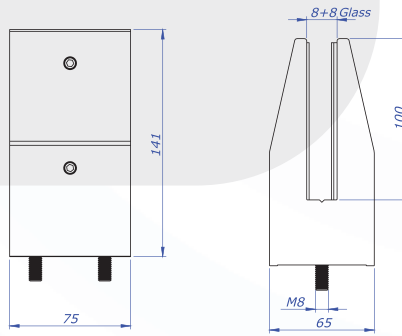


■ **500-603**  
Elliptical Glass Holder

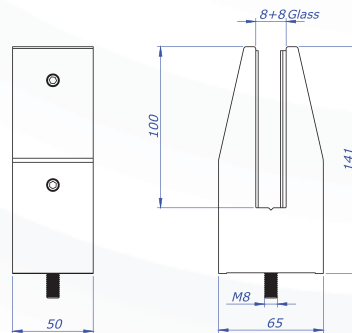




■ **500-604**  
Block Type Glass Holder (12cm)



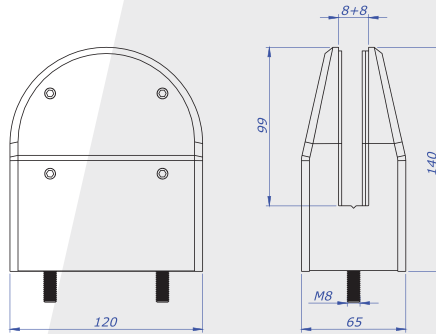
■ **500-606**  
Block Type Glass Holder (7,5 cm)



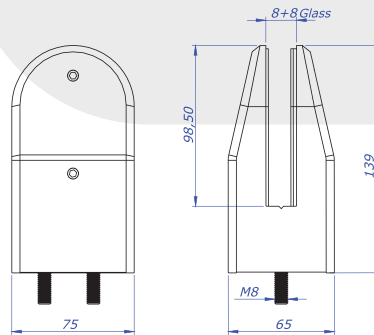
■ **500-607**  
Block Type Glass Holder (5 cm)



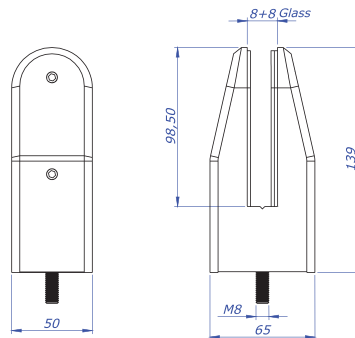
**500-614**  
Oval Top Glass Holder - 12 cm



**500-615**  
Oval Top Glass Holder - 7.5 cm



**500-616**  
Oval Top Glass Holder - 5 cm

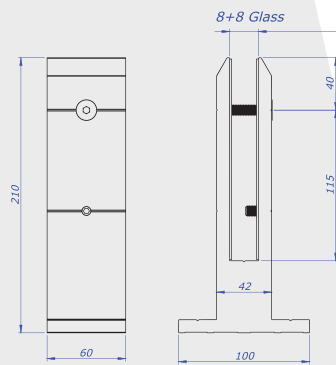


Bolts & Anchors are subject to separate sales.

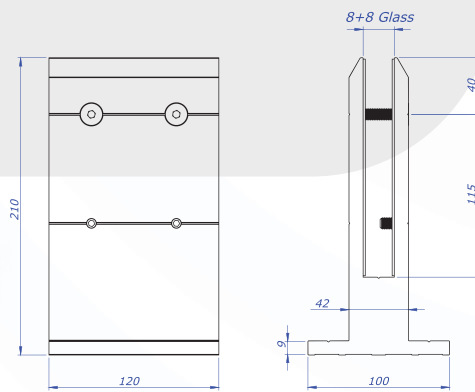
**A60  
SERIES**



**500-602**  
Square Glass Holder



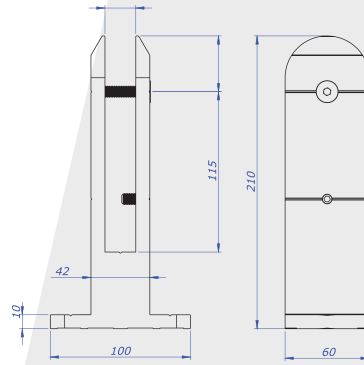
**500-618**  
Square Glass Holder 12 cm



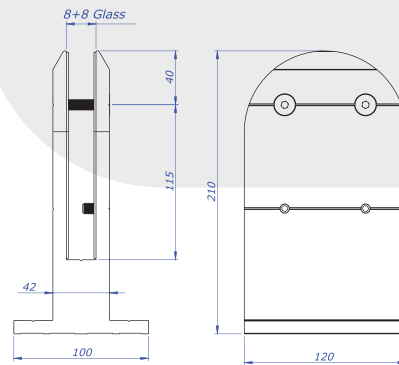
**500-608**  
Square Glass Holder Cover (For 500-602)



Bolts & Anchors are subject to separate sales.



**500-609**  
Glass Holder with Radius



**500-617**  
Glass Holder with Radius 12 cm

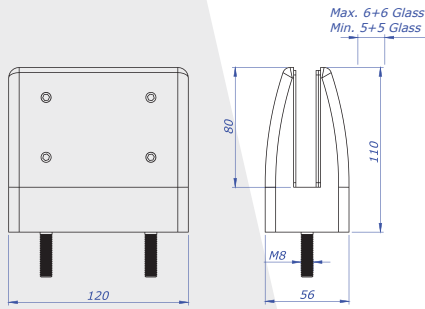


**500-619**  
Round Glass Holder (For 500-609)

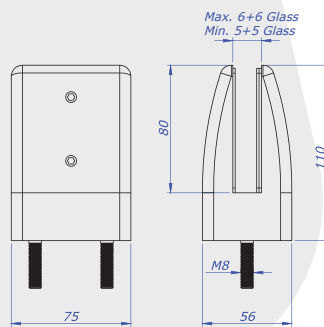
Bolts & Anchors are subject to separate sales.



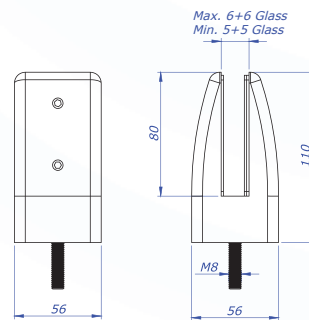
**500-630**  
Block Type Glass Holder-12 cm



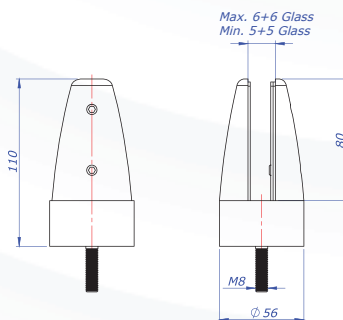
**500-631**  
Block Type Glass Holder - 7,5 cm



**500-632**  
Block Type Glass Holder - 5,6 cm

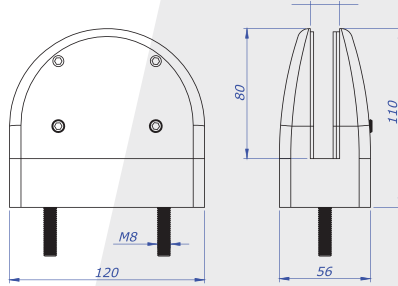


**500-605**  
Small Glass Holder



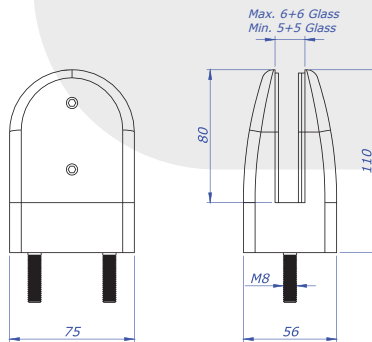
Bolts & Anchors are subject to separate sales.





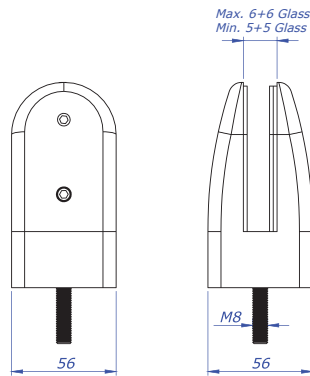
**500-633**

Block Type Glass Holder - 12 cm



**500-634**

Block Type Glass Holder - 7,5 cm



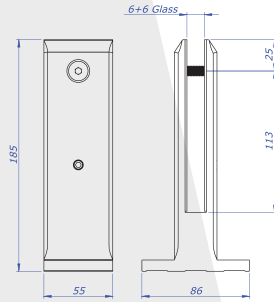
**500-635**

Block Type Glass Holder - 5,6 cm

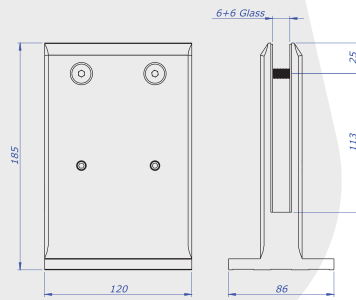
Bolts & Anchors are subject to separate sales.



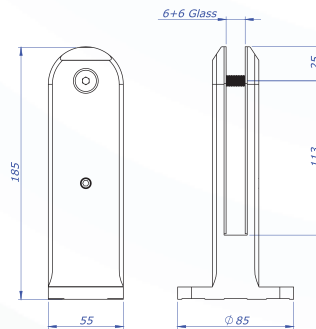
■ **500-636**  
Square Glass Holder - 5,50 cm



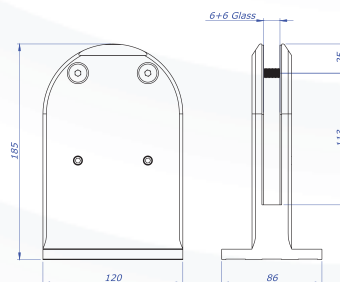
■ **500-637**  
Square Glass Holder - 12 cm



■ **500-638**  
Glass Holder with Radius - 5,50 cm



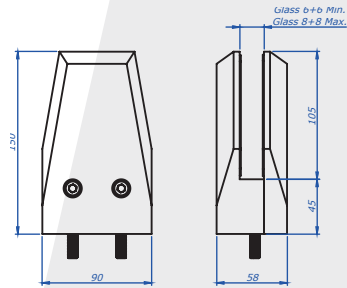
■ **500-639**  
Glass Holder with Radius - 12 cm



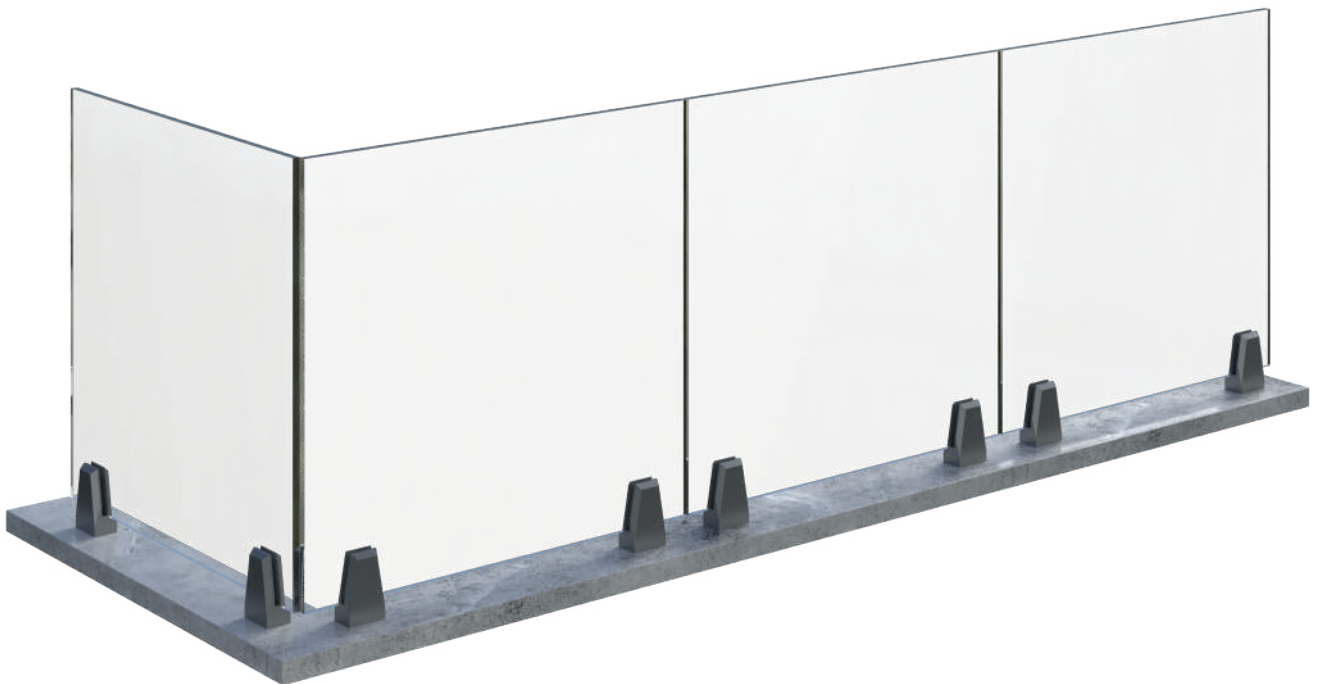
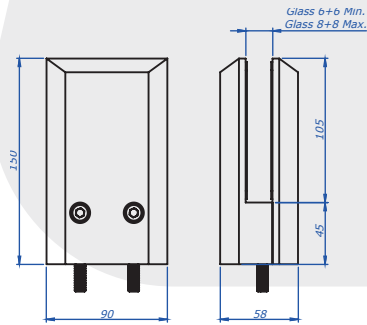
Bolts & Anchors are subject to separate sales.



■ **500-655**  
Glass Keeper Adjustable Kit



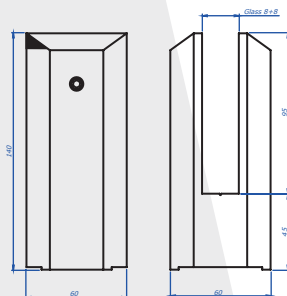
■ **500-656**  
Glass Keeper Adjustable Kit



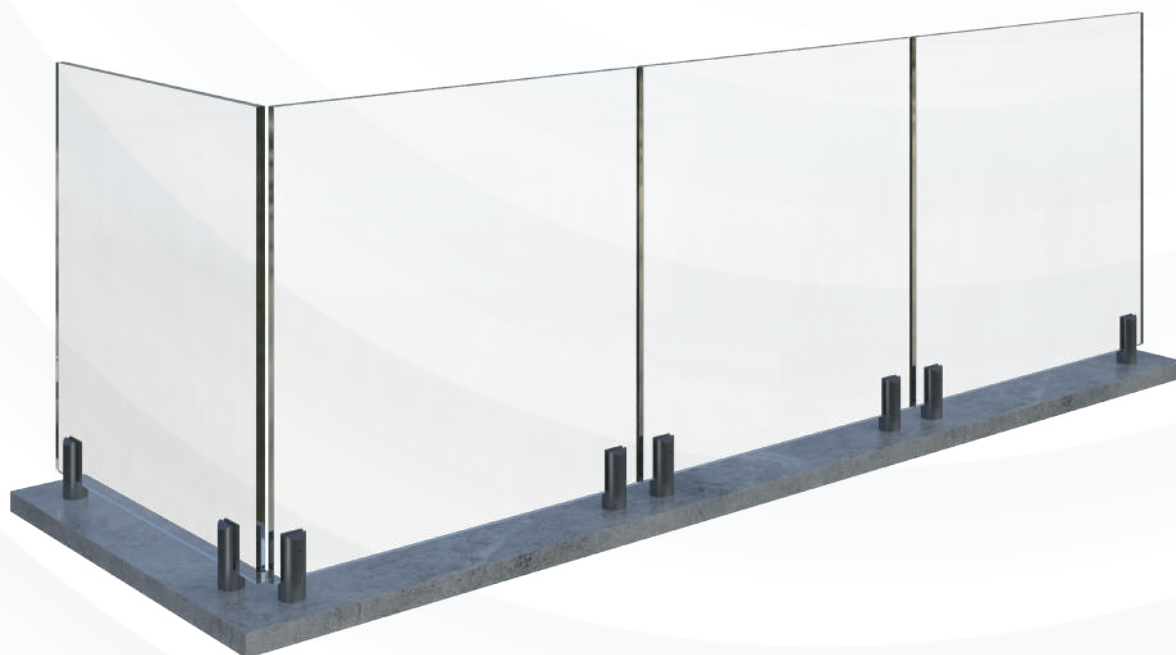
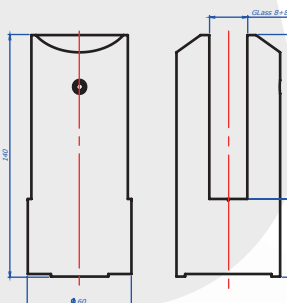
\* Model no need drilling glass.



■ **500-665**  
Glass Keeper Castle Model Kit



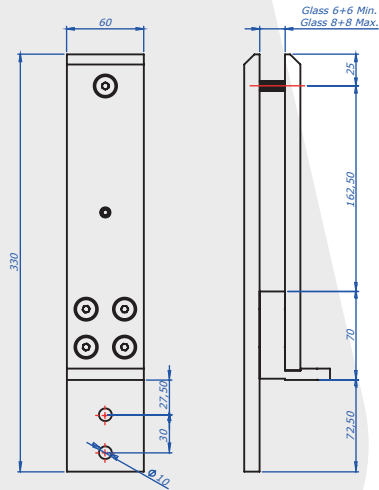
■ **500-666**  
Glass Keeper Tower Model Kit



\* Model no need drilling glass.

The background is a solid, vibrant blue color. It features several large, overlapping, organic shapes that resemble liquid or smoke. These shapes are lighter in color than the background, creating a sense of depth and movement. The overall effect is a dynamic and modern abstract composition.

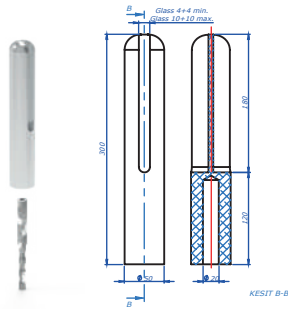
**NEW ARMATURES**



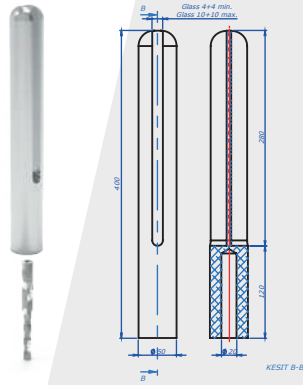
■ **500-653**

Glass Holder Side Elevation Model Kit

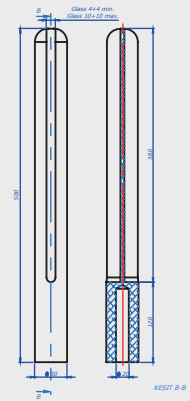




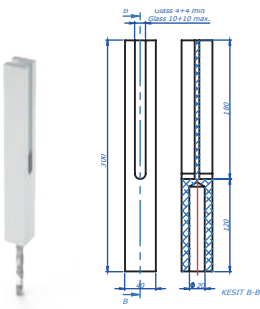
**500-641**  
Glass Holder Spindle 30cm



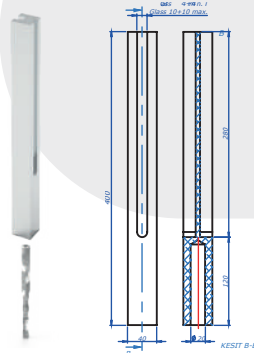
**500-642**  
Glass Holder Spindle 40cm



**500-643**  
Glass Holder Spindle 50cm



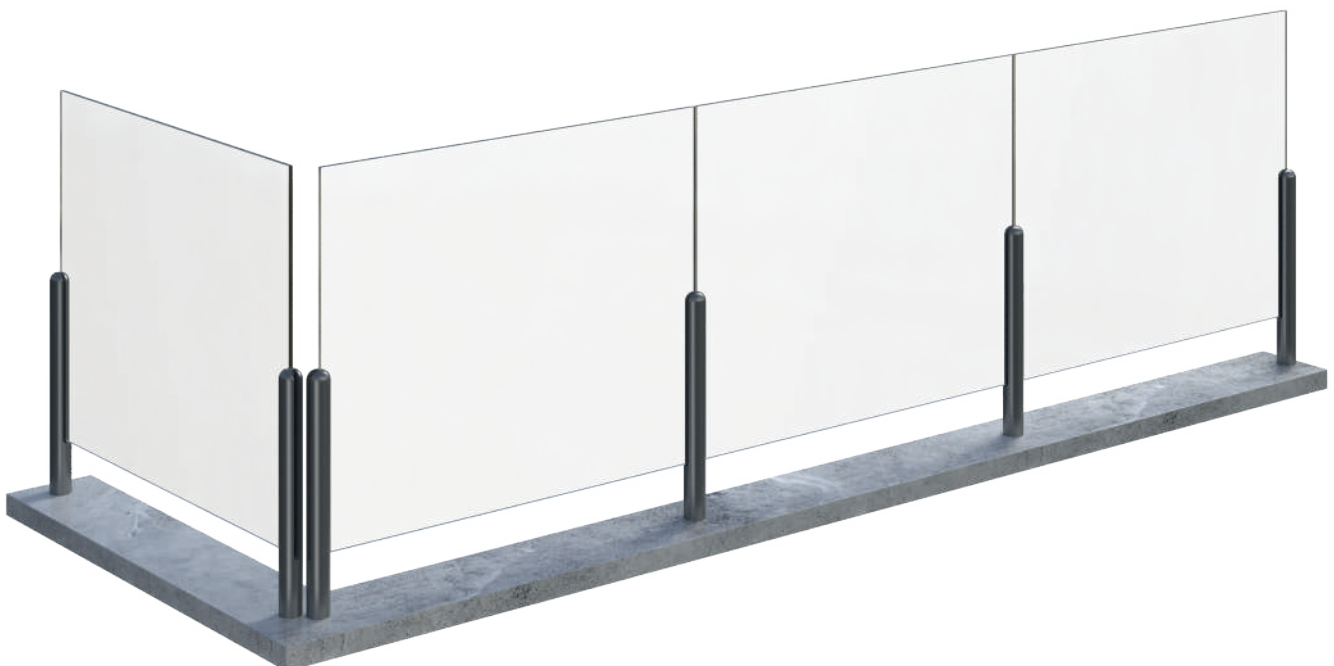
**500-644**  
Glass Holder Intermediator 30cm

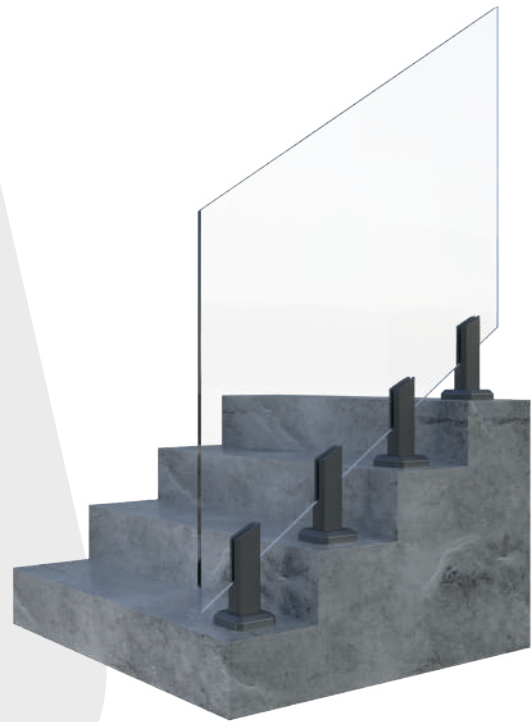
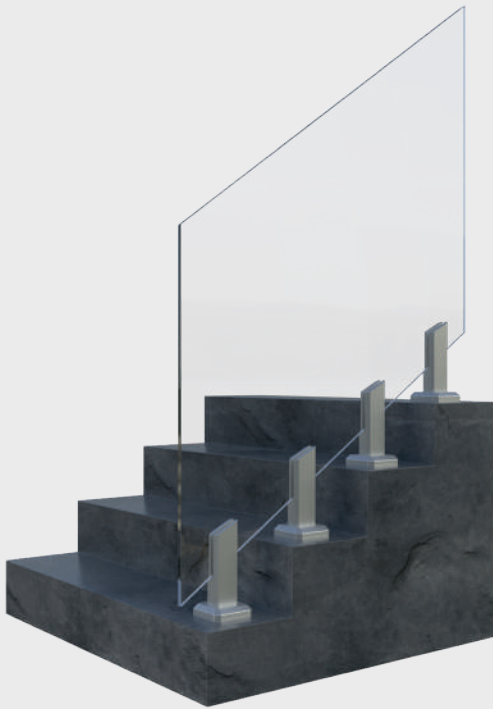


**500-645**  
Glass Holder Intermediator 40cm

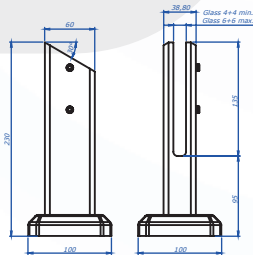


**500-646**  
Glass Holder Intermediator 50cm

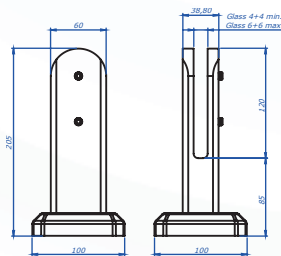




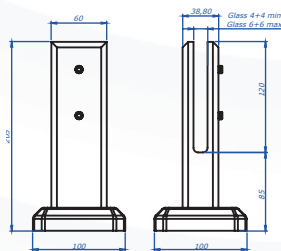
**500-647**  
Glass Holder Stairs Model Kit



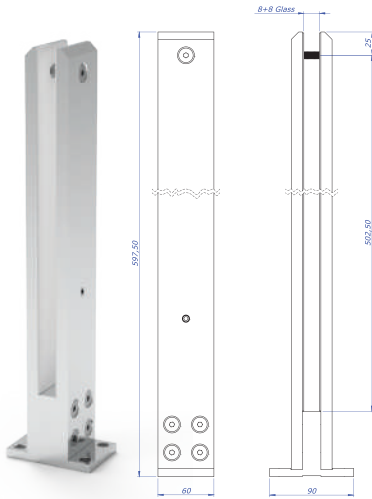
**500-648**  
Glass Holder Kit



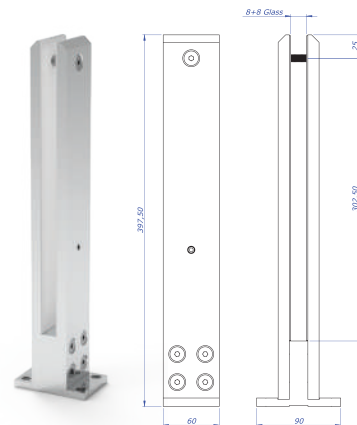
**500-649**  
Glass Holder Kit



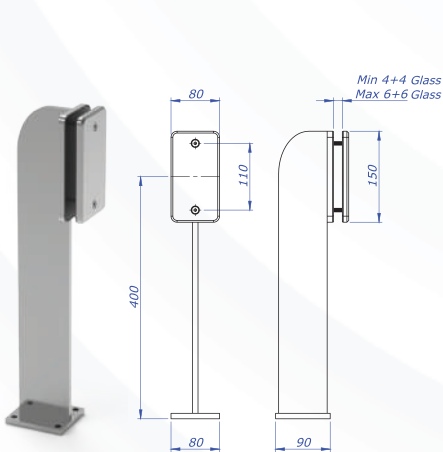
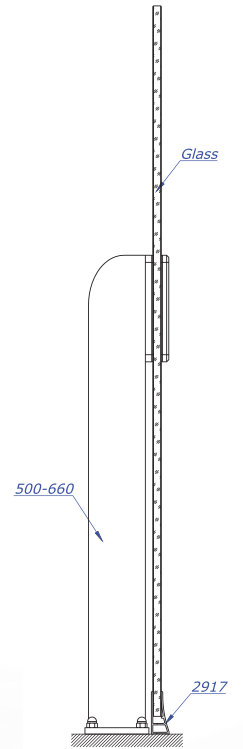
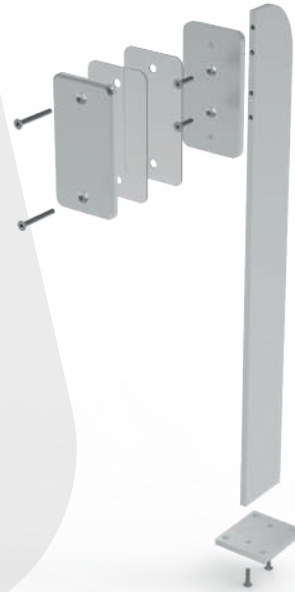




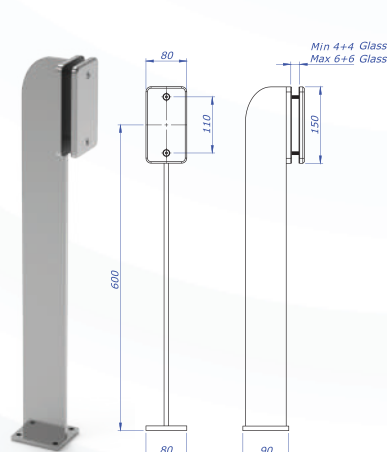
■ **500-650**  
Extended Square Glass Holder  
(Height 80 cm)



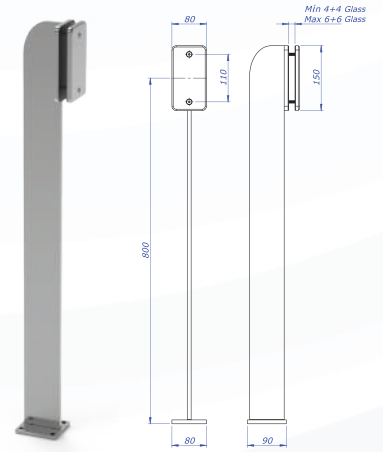
■ **500-651**  
Extended Square Glass Holder  
(Height 40 cm)



■ **500-660**  
Platinum Serie Glass Holder  
(Height 40 cm)



■ **500-661**  
Platinum Serie Glass Holder  
(Height 60 cm)



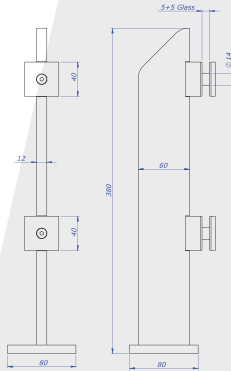
■ **500-662**  
Platinum Serie Glass Holder  
(Height 80 cm)



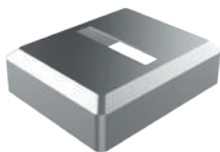
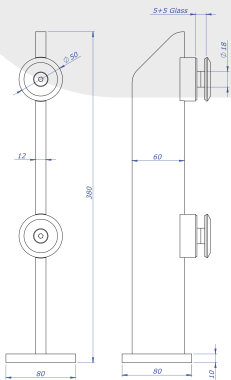
YouTube akos



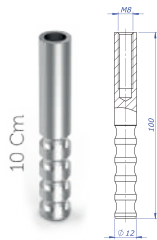
■ **500-610**  
Glass Connector Lama w/Double Square Sockets



■ **500-611**  
Glass Connector Lama w/Double Round Sockets



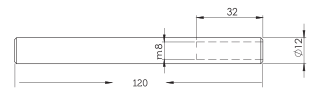
■ **450-302**  
Plate Cover For Single Lama



■ **500-015**  
Anchor M8

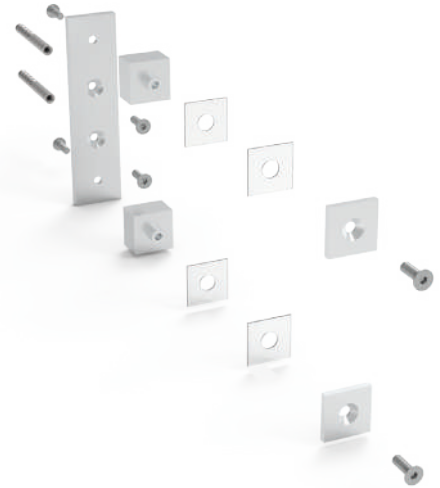
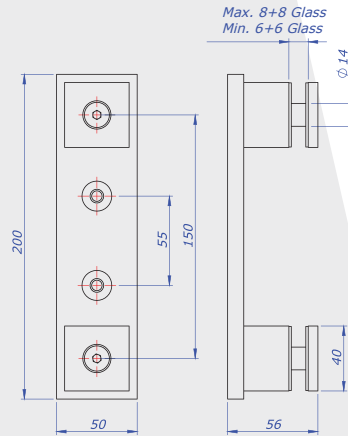


■ **500-018**  
Inox Screw M8

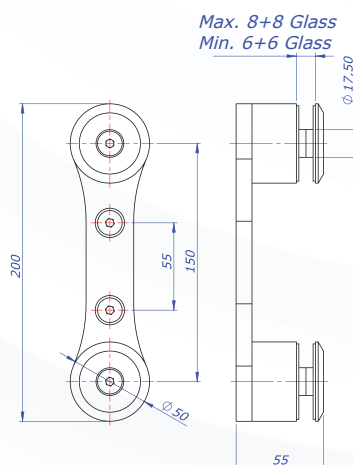


■ **500-027**  
12 cm Bolt M8

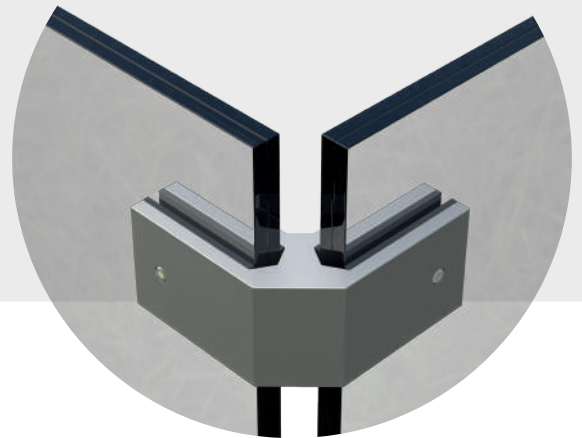
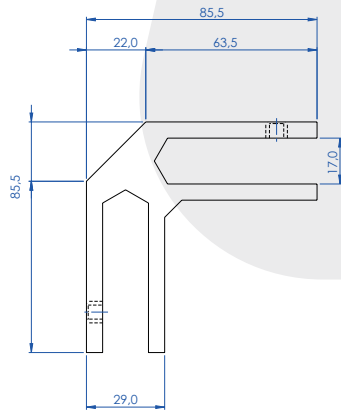
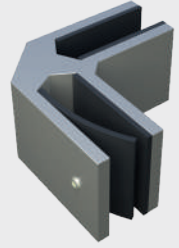
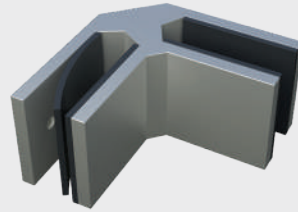
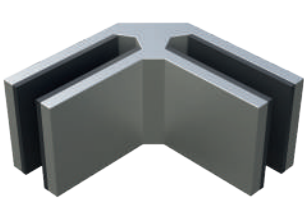




■ **500-612**  
Double Glass Connection  
Socket - Square

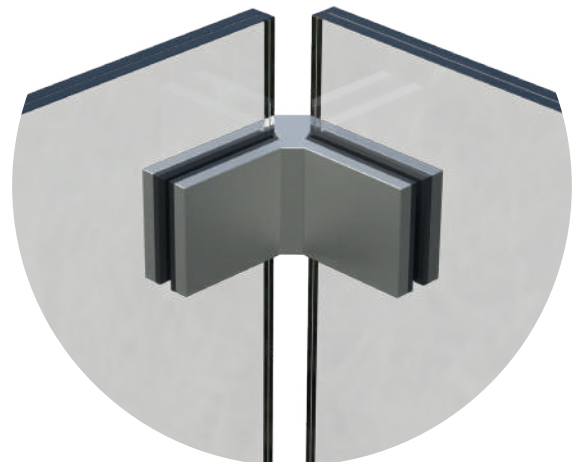
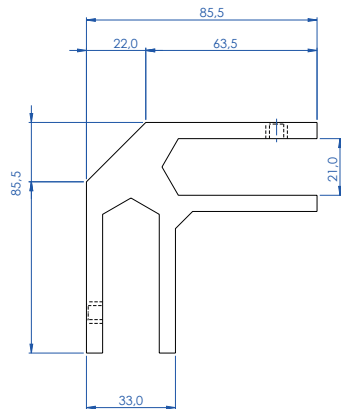


■ **500-613**  
Double Glass Connection  
Socket - Round



■ **500-663**

Corner Aligner Square For 6+6 mm Glass



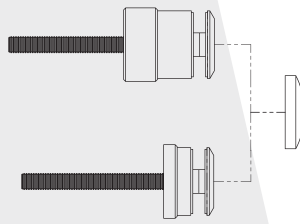
■ **500-664**

Corner Aligner Square For 8+8 mm Glass

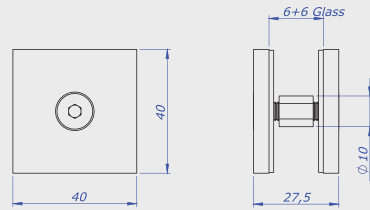
**A60**  
SERIES



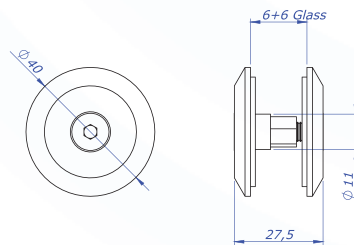
■ 100-922  
Glass To Wall Connector Cover (Ø50)



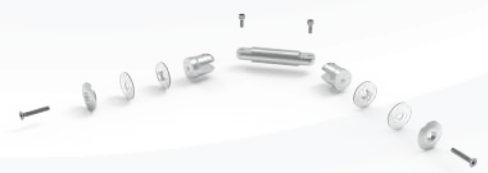
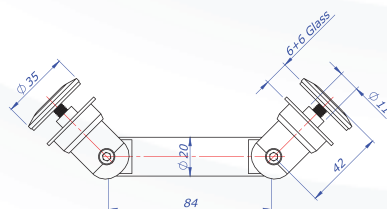
■ 500-621  
Glass Aligner (Square)



■ 500-622  
Glass Aligner (Round)

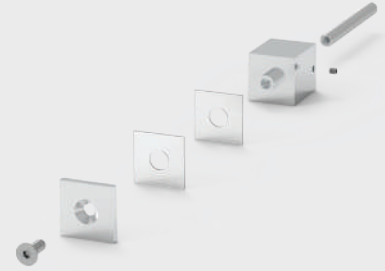
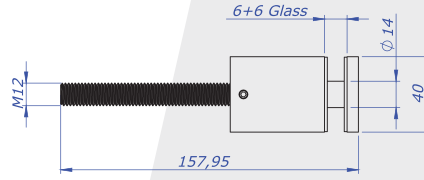


■ 500-623  
Double Glass Interconnection Spider

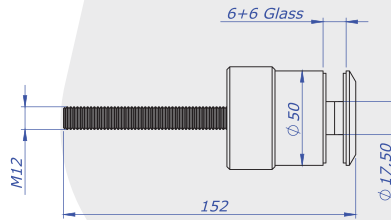




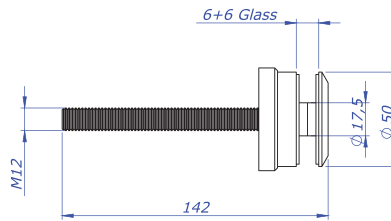
■ **500-620**  
40 X 40 Glass To Wall  
Connector



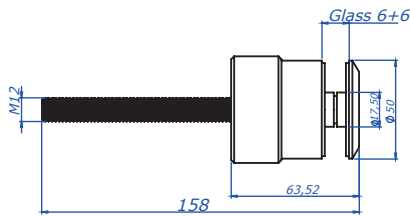
■ **100-912**  
Glass Side Connector ( $\phi 50$ )

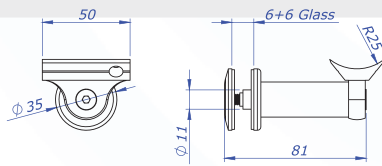
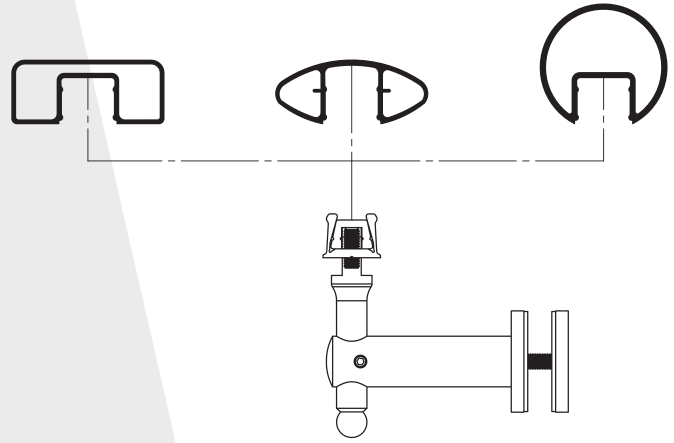
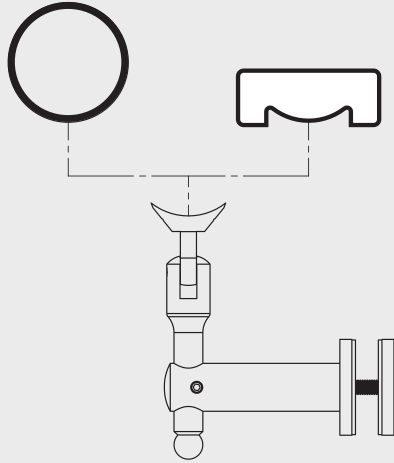


■ **100-921**  
Small Glass To Wall Connector ( $\phi 50$ )

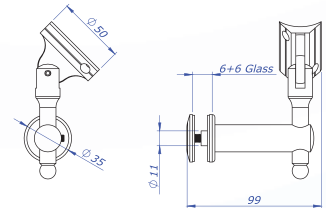


■ **100-925**  
Glass Buton Connector (Align Adjustable)

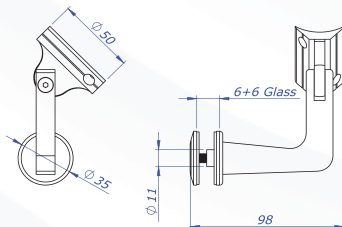




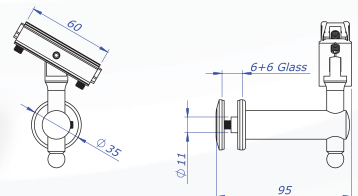
**100-910**  
Glass Railing Armature for  $\varnothing 50\text{mm}$



**100-911**  
Glass Railing Joint Kit for  $\varnothing 50\text{mm}$



**100-913**  
Glass Railing Joint Kit for  $\varnothing 50\text{mm}$

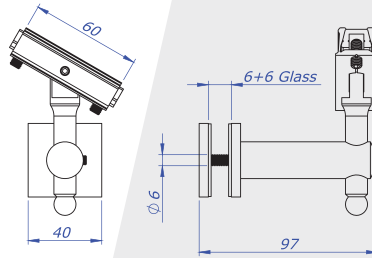


**100-915**  
Glass Railing Joint Kit

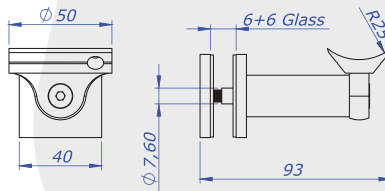




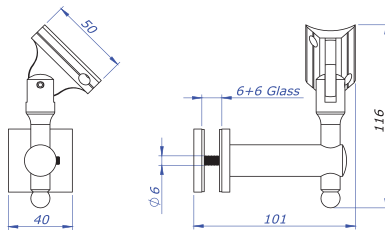
**100-914**  
Square Glass Railing Joint Kit



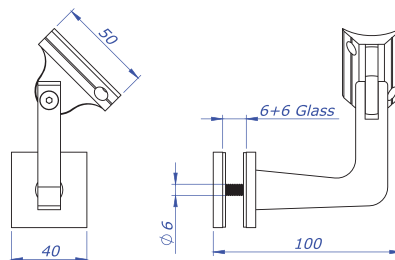
**100-918**  
Square Glass Railing Armature for Ø50mm



**100-919**  
Square Glass Railing Joint Kit for Ø50mm



**100-920**  
Square Glass Railing Joint Kit for Ø50mm



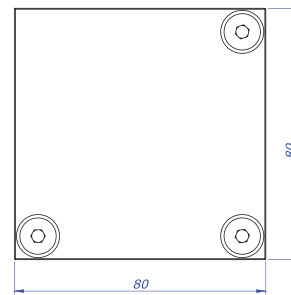
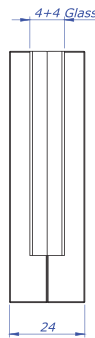
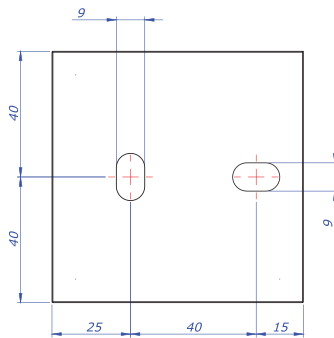
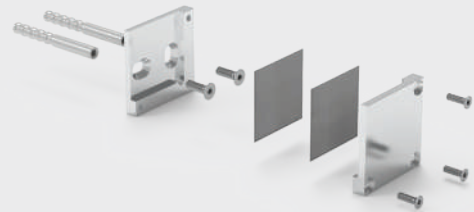
The background is a solid teal color with intricate, organic, swirling patterns that resemble marbled paper or liquid swirls. The patterns are darker and lighter shades of teal, creating a sense of depth and movement. The overall aesthetic is modern and artistic.

**JULIET MODEL**

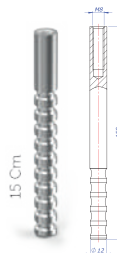


Alusmart A66 offers a new design French Balcony Glass Holder with easy mounting and high safety

- Easy montage
- Strong and Durable Product Quality
- 4 mm. + 4mm. = 8mm. Glass Thickness
- Aesthetic and Minimalist Details
- Affordable Cost



■ **500-640**  
A66 Juliet Glass Holder



■ **500-016**  
Anchor M8



■ **500-018**  
Inox Screw M8

A60  
**100-915**

*Akos  
Smart  
Designs*

A60  
500-636

*Less Aluminium*

A60  
500-650

*More Strength*



A60  
500-630

*More View*



A60  
**100-925**

*Flying Glasses*



A60  
500-611

*Big Support*

